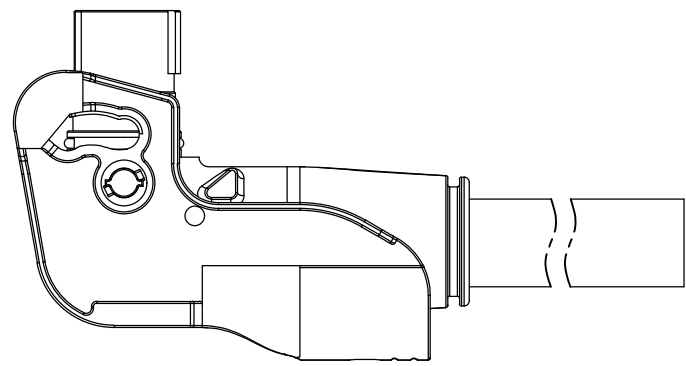
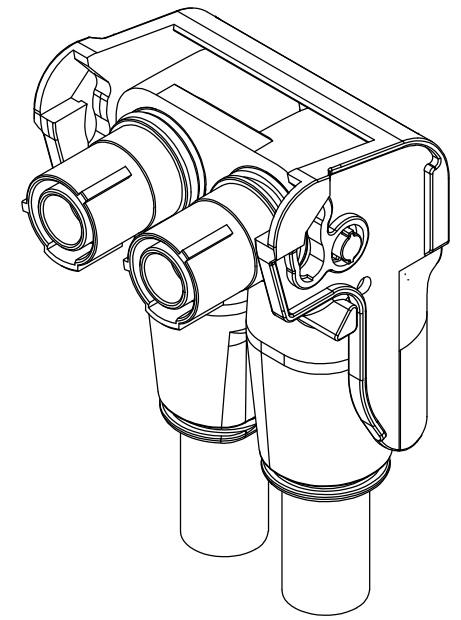
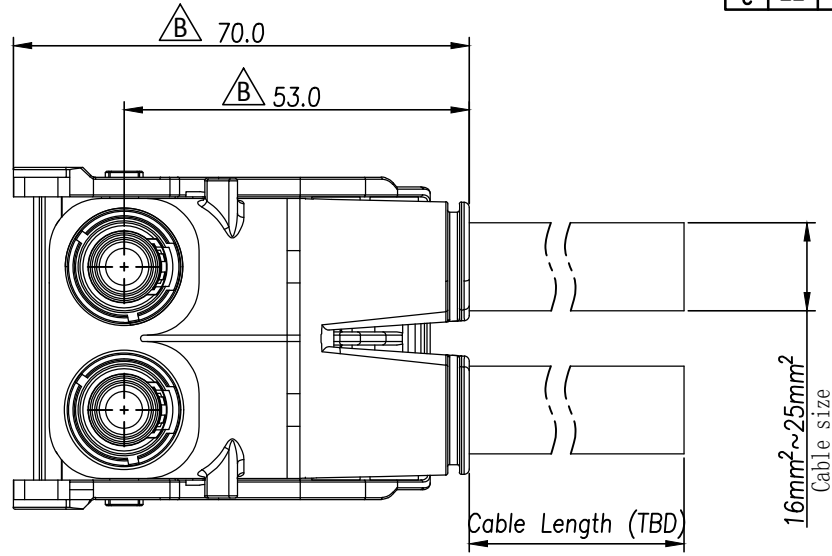
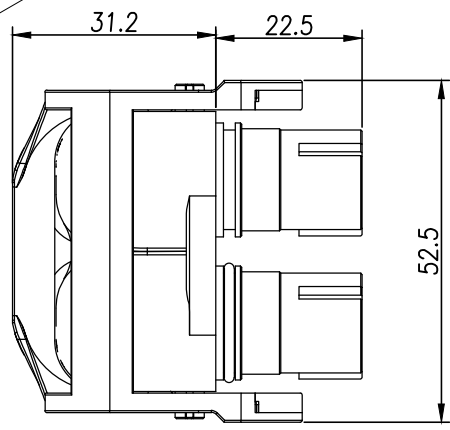


THIS DRAWING IS SUPPLIED FOR INFORMATION ONLY. DESIGN FEATURES, SPECIFICATIONS AND PERFORMANCE DATA SHOWN HEREON ARE THE PROPERTY OF THE AMPHENOL CORPORATION. NO RIGHTS OF REPRODUCTION ARE IMPLIED. ALL DIMENSIONS ARE SUBJECT TO NORMAL MANUFACTURING VARIATIONS.

Customer Drawing

REVISIONS						
REV	ZONE	ECO	DESCRIPTION	DATE	BY	APPR
1	--	--	INITIAL RELEASE	12/24/13	RW	EC
A	--	--	Updated dimensions	08/22/14	RW	EC
B	--	--	Change Appearance	12/08/15	RW	GX
C	--	--	Update Spec	01/08/19	Fred	JL



订购信息 Ordering Information

PL202	X	-	12	0	-	25
键位及颜色 Key & Color		高压互锁 HVIL		线缆大小 Cable Size		
"X", 橙色 Orange		0, 不带互锁 No HVIL		"25"=25mm <sup>2</sup>		
"Y", 黑色 Black		1, 带互锁 With HVIL		"16"=16mm <sup>2</sup>		

规格参数 (Spec.):

- 工作温度 Operating temperature: -40° C~+125° C.
- 额定电流 Current rating(Connector Only):  
16mm<sup>2</sup>: 90 A; 25mm<sup>2</sup>: 120 A.
- 额定电压 Operating voltage:1000 VDC.
- 耐电压 Dielectric withstanding voltage: 5000 VDC.
- 防护等级 Protection class:IP67.
- 电磁屏蔽 Shielding.
- 机械寿命 Mating cycle:100 Min.
- 带自动二次锁扣 Automatic secondary lock.
- 带高压互锁 Electrical interlock (HVIL).

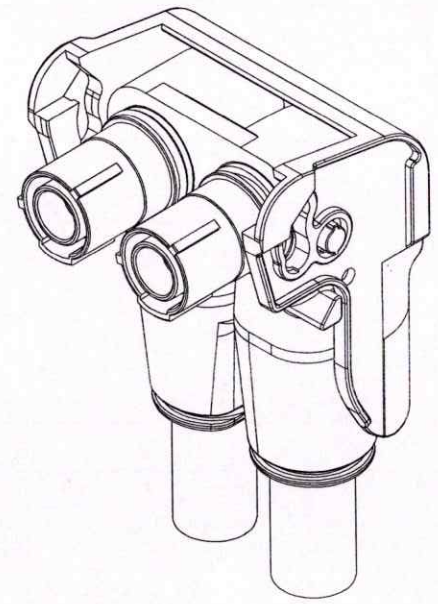
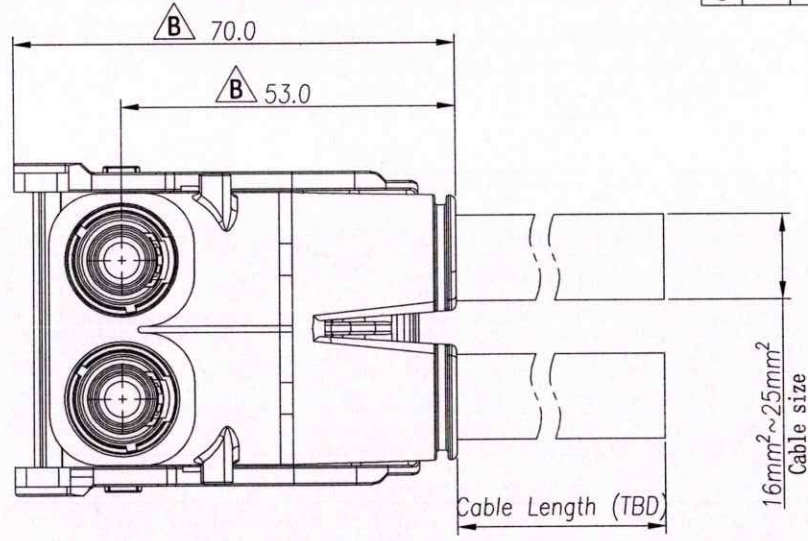
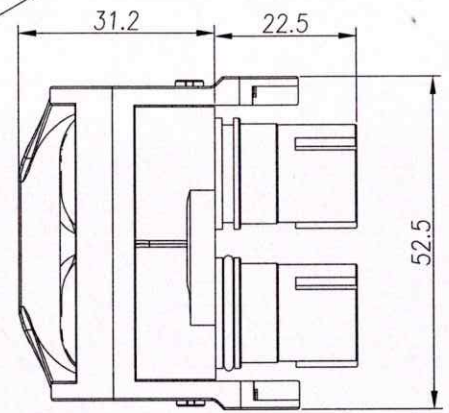
	Amphenol Technical Products International GZ					
	第三角投影 THIRD ANGLE PROJECTION	页 SHEET	幅面 SIZE	版次 REV.	比例 SCALE	PART NAME:
	1 of 1	A3	C			PwrLok 5.7mm-90 2POS Plug
签名 SIGNATURE	日期 DATE	UNLESS OTHERWISE SPECIFIED				DWG NO:
制图 DRAWN	Fred	1) All dimensions are in metric(mm). 2) Tolerances are as follows:				PL202-120
审核 CHECKED		0 PL DEC ±1.00 1 PL DEC ±0.50 2 PL DEC ±0.20				CUST PART #:
批准 APPROVAL		Angles ±1°				N/A
						CUST REV. -

THIS DRAWING IS SUPPLIED FOR INFORMATION ONLY. DESIGN FEATURES, SPECIFICATIONS AND PERFORMANCE DATA SHOWN HEREON ARE THE PROPERTY OF THE AMPHENOL CORPORATION. NO RIGHTS OF REPRODUCTION ARE IMPLIED. ALL DIMENSIONS ARE SUBJECT TO NORMAL MANUFACTURING VARIATIONS.

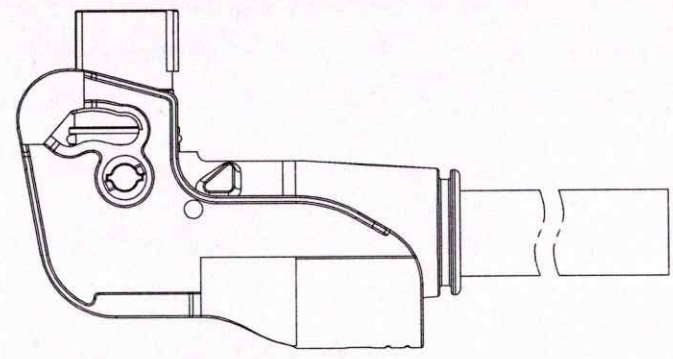
1 2 3 4 5 6 7 8

A  
B  
C  
D  
E  
F

Customer Drawing



REVISIONS						
REV	ZONE	ECO	DESCRIPTION	DATE	BY	APPR
1	---	---	INITIAL RELEASE	12/24/13	RW	EC
A	---	---	Updated dimensions	08/22/14	RW	EC
B	---	---	Change Appearance	12/08/15	RW	GX
C	---	---	Update Spec	01/08/19	Fred	JL



订购信息 Ordering Information

PL202 X - 12 0 - 25

键位及颜色 Key & Color	高压互锁 HVIL	线缆大小 Cable Size
"X", 橙色 Orange	0, 不带互锁 No HVIL	"25"=25mm <sup>2</sup>
"Y", 黑色 Black	1, 带互锁 With HVIL	"16"=16mm <sup>2</sup>

规格参数 (Spec.):

- 工作温度 Operating temperature: -40° C~+125° C.
- 额定电流 Current rating(Connector Only):  
16mm<sup>2</sup>: 90 A; 25mm<sup>2</sup>: 120 A.
- 额定电压 Operating voltage:1000 VDC.
- 耐电压 Dielectric withstanding voltage: 5000 VDC.
- 防护等级 Protection class:IP67.
- 电磁屏蔽 Shielding.
- 机械寿命 Mating cycle:100 Min.
- 带自动二次锁扣 Automatic secondary lock.
- 带高压互锁 Electrical interlock (HVIL).

Amphenol TPI  
 2019-04-08  
 REGISTERED COPY

<b>AMPHENOL</b> <b>TPI</b>	Amphenol Technical Products International GZ				PART NAME:	
	第三角投影 THIRD ANGLE PROJECTION	页码 SHEET	幅面 SIZE	版次 REV.	比例 SCALE	PwrLok 5.7mm-90 2POS Plug
签名 SIGNATURE		日期 DATE		UNLESS OTHERWISE SPECIFIED		
制图 DRAWN		1) All dimensions are in metric(mm).		DWG NO: PL202-120		
审核 CHECKED		2) Tolerances are as follows:		CUST PART #: N/A		
批准 APPROVAL		0 PL DEC ±1.00		CUST REV: -		
		1 PL DEC ±0.50				
		2 PL DEC ±0.20		Angles ±1°		