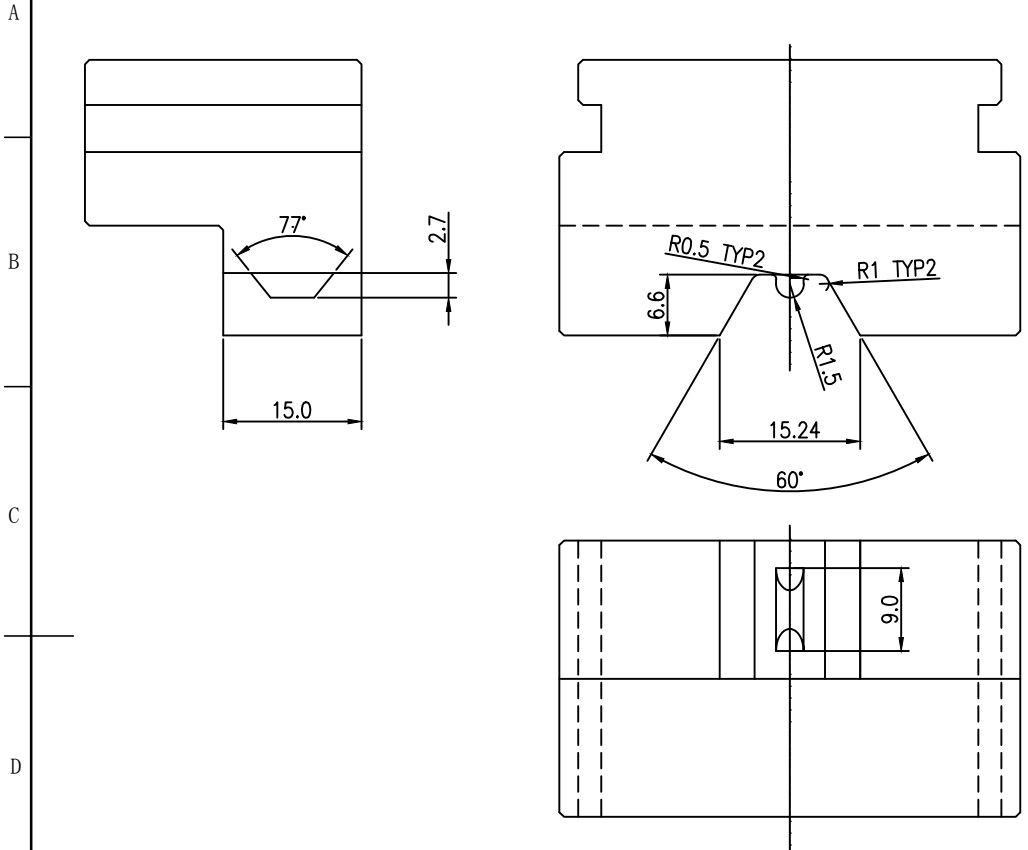
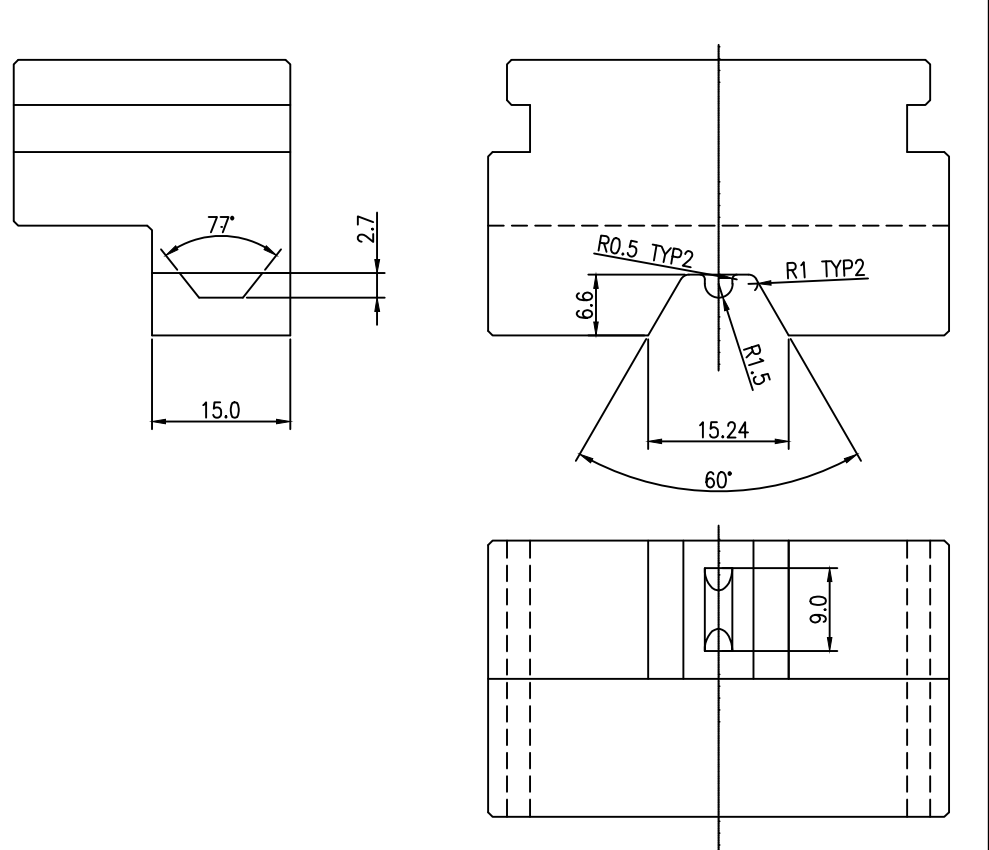


THIS DRAWING IS SUPPLIED FOR INFORMATION ONLY. DESIGN FEATURES, SPECIFICATIONS AND PERFORMANCE DATA SHOWN HEREON ARE THE PROPERTY OF THE AMPHENOL CORPORATION. NO RIGHTS OF REPRODUCTION ARE IMPLIED. ALL DIMENSIONS ARE SUBJECT TO NORMAL MANUFACTURING VARIATIONS.

REVISIONS					
REV	ECN	DESCRIPTION	BY	APPR	DATE
01	--	INITIAL RELEASE	Jenson	Bill	03/06/2019



upper die
上模



lower die
下模

		Amphenol Technical Products International GZ				PART NAME:	
		第三角投影 THIRD ANGLE PROJECTION	页面 SHEET	幅面 SIZE	版次 REV.	比例 SCALE	Crimping die for the 70mm ² cable of Gen I
签名 SIGNATURE		日期 DATE		UNLESS OTHERWISE SPECIFIED		DWG NO:	
制图 DRAWN	Jenson	03/06/2019		1) All dimensions are in metric(mm). 2) Tolerances are as follows: 1 PL DEC ±0.05 2 PL DEC ±0.02 3 PL DEC ±0.01		L134152150070	
审核 CHECKED				Surf texture: 1.6 ✓ Angles ±30'		CUST PART #:	
批准 APPROVAL						CUST REV.:	