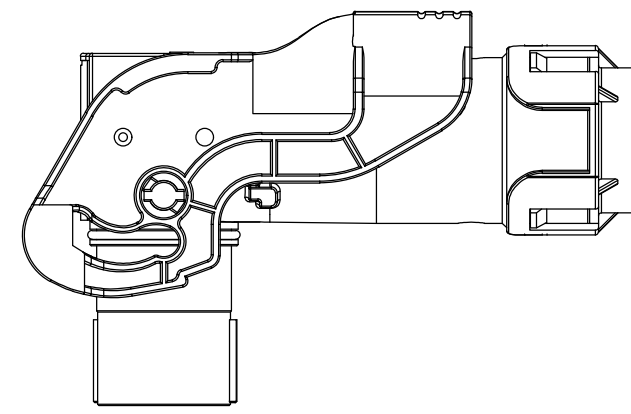
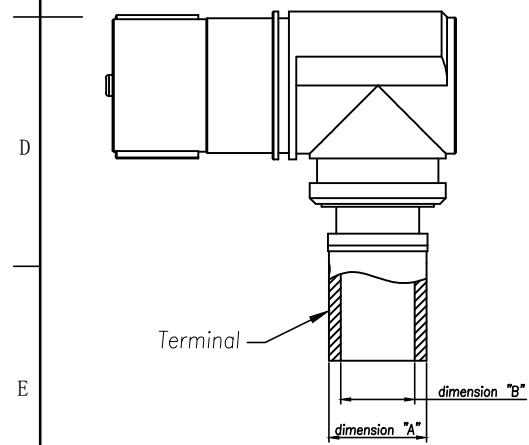
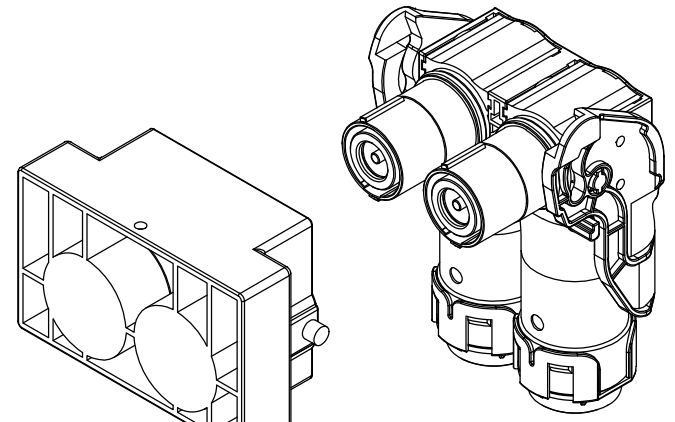
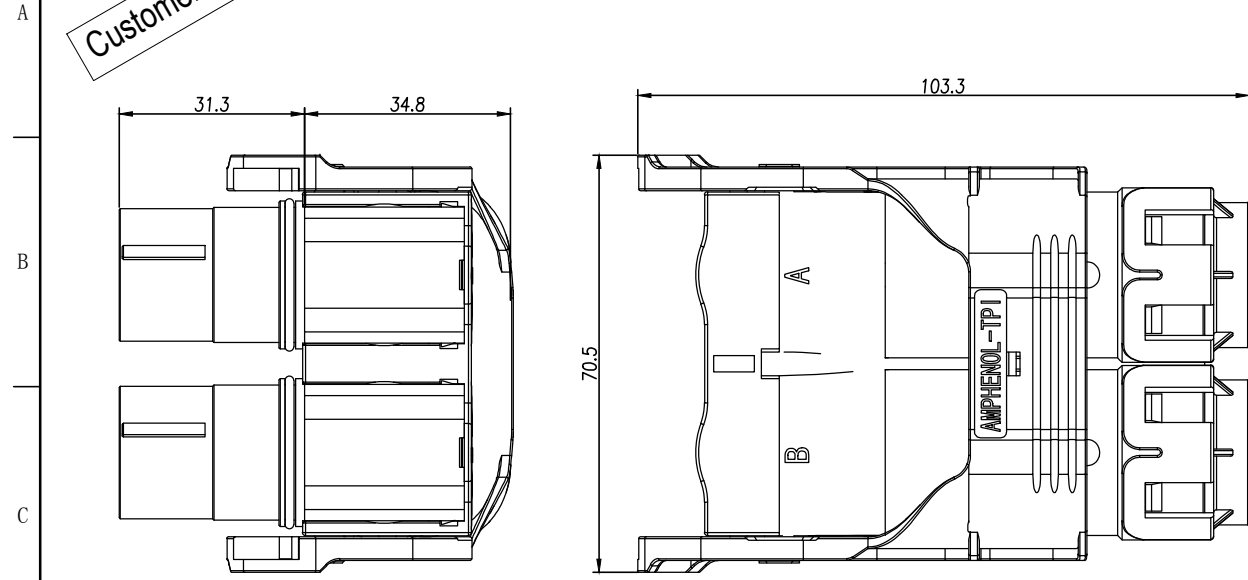


THIS DRAWING IS SUPPLIED FOR INFORMATION ONLY. DESIGN FEATURES, SPECIFICATIONS AND PERFORMANCE DATA SHOWN HEREON ARE THE PROPERTY OF THE AMPHENOL CORPORATION. NO RIGHTS OF REPRODUCTION ARE IMPLIED. ALL DIMENSIONS ARE SUBJECT TO NORMAL MANUFACTURING VARIATIONS.

Customer Drawing

REVISIONS						
REV	ZONE	ECO	DESCRIPTION	DATE	BY	APPR
A	--	--	Updated	01/26/19	Steven	JL



Standard Part List (With HVIL)

P/N	Model NO.	overall-diameter nominal (mm)	outside-diameter of terminal (mm): "A"	inside-diameter of terminal (mm): "B"
AC-HA002448	PL582X-301-35	11.5±0.3	12.0±0.3	9.0±0.3
AC-HA004485	PL582Y-301-35	11.5±0.3	12.0±0.3	9.0±0.3
AC-HA004486	PL582X-301-50	13.6±0.3	15.0±0.3	11.0±0.3
AC-HA004487	PL582Y-301-50	13.6±0.3	15.0±0.3	11.0±0.3
AC-HA004488	PL582X-301-70	15.5±0.3	16.8±0.3	12.5±0.3
AC-HA004489	PL582Y-301-70	15.5±0.3	16.8±0.3	12.5±0.3

Standard Part List (Without HVIL)

P/N	Model NO.	overall-diameter nominal (mm)	outside-diameter of terminal (mm): "A"	inside-diameter of terminal (mm): "B"
AC-HA004490	PL582X-300-35	11.5±0.3	12.0±0.3	9.0±0.3
AC-HA004491	PL582Y-300-35	11.5±0.3	12.0±0.3	9.0±0.3
AC-HA004492	PL582X-300-50	13.6±0.3	15.0±0.3	11.0±0.3
AC-HA004493	PL582Y-300-50	13.6±0.3	15.0±0.3	11.0±0.3
AC-HA004494	PL582X-300-70	15.5±0.3	16.8±0.3	12.5±0.3
AC-HA004495	PL582Y-300-70	15.5±0.3	16.8±0.3	12.5±0.3

- 规格参数 (Spec.):
1. 工作温度 Operating temperature: -40° C~+125° C.
  2. 额定电流 Current rating (Connector Only):  
35mm<sup>2</sup>:150A; 50mm<sup>2</sup>:200A; 70mm<sup>2</sup>:250A;
  3. 额定电压 Operating voltage:1000 VDC.
  4. 耐电压 Dielectric withstanding voltage: 5000 VDC.
  5. 防护等级 Protection class:IP67 & IP2X.
  6. 机械寿命 Mating cycle:100 Min.
  7. 带自动二次锁扣 Automatic secondary lock.
  8. 带高压互锁 Electrical interlock (HVIL).
  9. 推荐线缆 Recommended cable : Unshielded Cable 非屏蔽线

订购信息 Ordering Information

PL58 2 X - 30 1 - 70

键位及颜色 Key "X" Key "Y" Key	高压互锁 HVIL 0, 不带互锁 No HVIL 1, 带互锁 With HVIL	线缆大小 Cable Size "70"=70mm <sup>2</sup> "50"=50mm <sup>2</sup> "35"=35mm <sup>2</sup>
---------------------------------	--	---

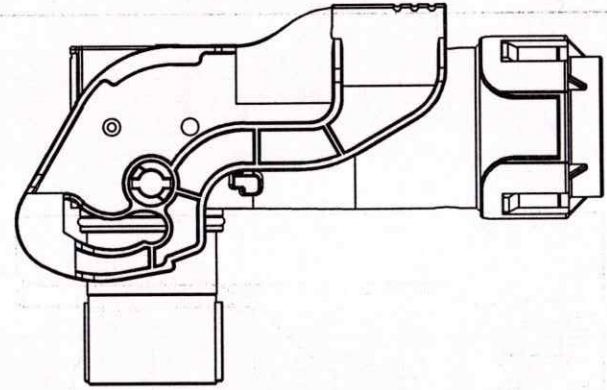
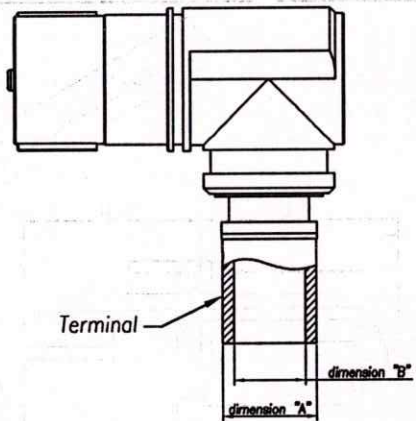
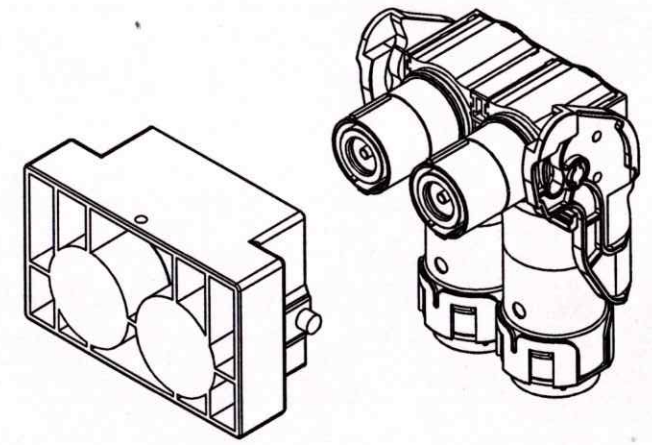
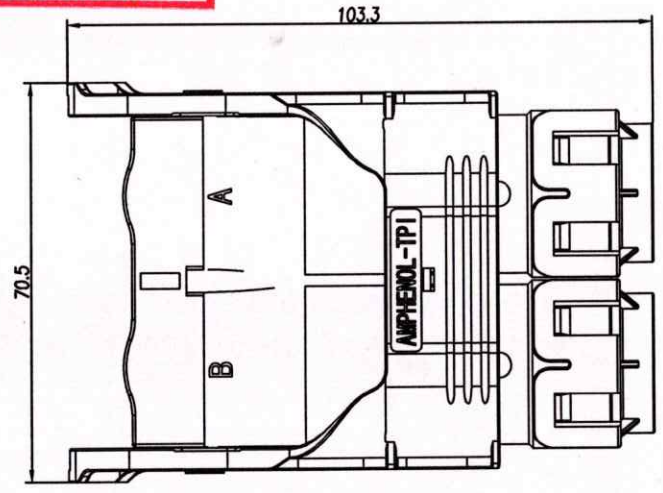
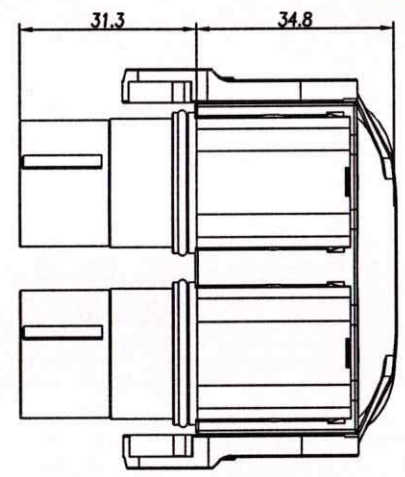
	Amphenol Technical Products International Asia.					
	第三角投影 THIRD ANGLE PROJECTION	页面 SHEET	幅面 SIZE	版次 REV.	比例 SCALE	PART NAME: PowerLok Conn PL582()-30()-0
签名 SIGNATURE Steven	日期 DATE 01/26/19	UNLESS OTHERWISE SPECIFIED 1) All dimensions are in metric(mm). 2) Tolerances are as follows: 0 PL DEC ±1.00 1 PL DEC ±0.50 2 PL DEC ±0.20			DWG NO: PL582()-30()	CUST PART #: N/A
制图 DRAWN	审核 CHECKED	批准 APPROVAL	Angles ±1°		CUST REV. -	

THIS DRAWING IS SUPPLIED FOR INFORMATION ONLY. DESIGN FEATURES, SPECIFICATIONS AND PERFORMANCE DATA SHOWN HEREIN ARE THE PROPERTY OF THE AMPHENOL CORPORATION. NO RIGHTS OF REPRODUCTION ARE IMPLIED. ALL DIMENSIONS ARE SUBJECT TO NORMAL MANUFACTURING VARIATIONS.

Customer Drawing

Amphenol TPI  
2019-01-26  
REGISTERED COPY

REV		ZONE	ECO	DESCRIPTION	DATE	BY	APPR
A	---	---	---	Updated	01/26/19	Steven	JL



Standard Part List (With HVIL)

P/N	Model NO.	overall-diameter nominal (mm)	outside-diameter of terminal (mm): "A"	inside-diameter of terminal (mm): "B"
AC-HA002448	PL582X-301-35	11.5±0.3	12.0±0.3	9.0±0.3
AC-HA004485	PL582Y-301-35	11.5±0.3	12.0±0.3	9.0±0.3
AC-HA004486	PL582X-301-50	13.6±0.3	15.0±0.3	11.0±0.3
AC-HA004487	PL582Y-301-50	13.6±0.3	15.0±0.3	11.0±0.3
AC-HA004488	PL582X-301-70	15.5±0.3	16.8±0.3	12.5±0.3
AC-HA004489	PL582Y-301-70	15.5±0.3	16.8±0.3	12.5±0.3

Standard Part List (Without HVIL)

P/N	Model NO.	overall-diameter nominal (mm)	outside-diameter of terminal (mm): "A"	inside-diameter of terminal (mm): "B"
AC-HA004490	PL582X-300-35	11.5±0.3	12.0±0.3	9.0±0.3
AC-HA004491	PL582Y-300-35	11.5±0.3	12.0±0.3	9.0±0.3
AC-HA004492	PL582X-300-50	13.6±0.3	15.0±0.3	11.0±0.3
AC-HA004493	PL582Y-300-50	13.6±0.3	15.0±0.3	11.0±0.3
AC-HA004494	PL582X-300-70	15.5±0.3	16.8±0.3	12.5±0.3
AC-HA004495	PL582Y-300-70	15.5±0.3	16.8±0.3	12.5±0.3

订购信息 Ordering Information

PL58 2 X - 30 1 - 70

键位及颜色 Key "X" Key "Y" Key	高压互锁 HVIL 0, 不带互锁 No HVIL 1, 带互锁 With HVIL	线缆大小 Cable Size "70"=70mm <sup>2</sup> "50"=50mm <sup>2</sup> "35"=35mm <sup>2</sup>
---------------------------------	--	---

- 规格参数 (Spec.):
- 工作温度 Operating temperature: -40° C~+125° C.
  - 额定电流 Current rating (Connector Only): 35mm<sup>2</sup>:150A; 50mm<sup>2</sup>:200A; 70mm<sup>2</sup>:250A.
  - 额定电压 Operating voltage:1000 VDC.
  - 耐电压 Dielectric withstanding voltage: 5000 VDC.
  - 防护等级 Protection class:IP67 & IP2X.
  - 机械寿命 Mating cycle:100 Min.
  - 带自动二次锁扣 Automatic secondary lock.
  - 带高压互锁 Electrical interlock (HVIL).
  - 推荐线缆 Recommended cable : Unshielded Cable 非屏蔽线

	Amphenol Technical Products International Asia.				
	第三角投影 THIRD ANGLE PROJECTION	页面 SHEET 1 of 1	幅面 SIZE A3	版次 REV. A	比例 SCALE 
签名 SIGNATURE 		日期 DATE 01/26/19		UNLESS OTHERWISE SPECIFIED 1) All dimensions are in metric (mm). 2) Tolerances are as follows: 0 PL DEC ±1.00 1 PL DEC ±0.50 2 PL DEC ±0.20 Angles ±1°	
制图 DRAWN Smm	审核 CHECKED 	批准 APPROVAL 	日期 DATE 2019.01.26	PART # PL582()-300	QTY PART # N/A