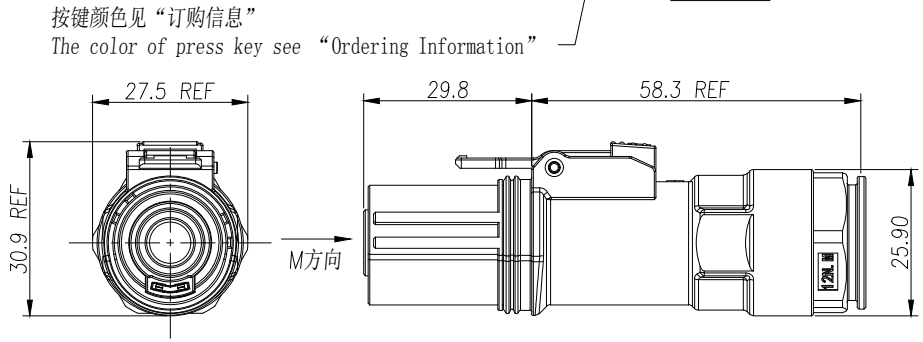
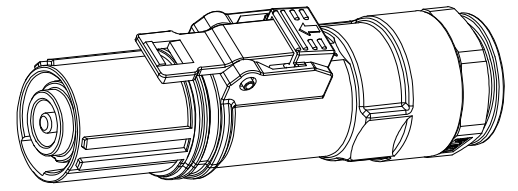
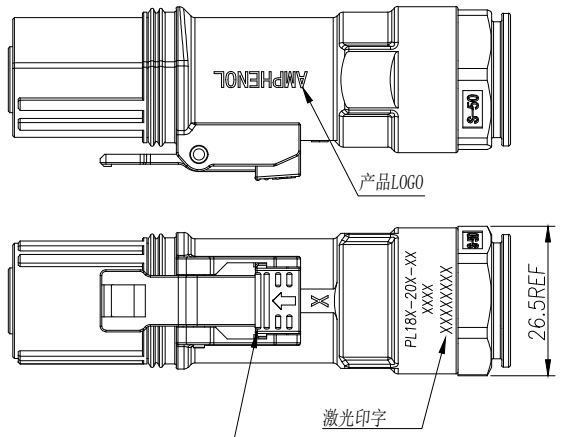


THIS DRAWING IS SUPPLIED FOR INFORMATION ONLY. DESIGN FEATURES, SPECIFICATIONS AND PERFORMANCE DATA SHOWN HEREON ARE THE PROPERTY OF THE AMPHENOL CORPORATION. NO RIGHTS OF REPRODUCTION ARE IMPLIED. ALL DIMENSIONS ARE SUBJECT TO NORMAL MANUFACTURING VARIATIONS.

Customer Drawing

6		7			8	
REVISIONS						
REV	ZONE	ECO	DESCRIPTION	DATE	BY	APPR
A	--	--	INITIAL RELEASE	07/14/15	RW	EC
B	--	--	修改后结构	10/12/18	Fred	JL



按键颜色见“订购信息”  
The color of press key see “Ordering Information”

Standard Part List  
(With HVIL)

P/N
PL18X-201-25
PL18Y-201-25
PL18U-201-25
PL18V-201-25
PL18W-201-25
PL18X-201-35
PL18Y-201-35
PL18U-201-35
PL18V-201-35
PL18W-201-35
PL18X-201-50
PL18Y-201-50
PL18U-201-50
PL18V-201-50
PL18W-201-50

Standard Part List  
(Without HVIL)

P/N
PL18X-200-25
PL18Y-200-25
PL18U-200-25
PL18V-200-25
PL18W-200-25
PL18X-200-35
PL18Y-200-35
PL18U-200-35
PL18V-200-35
PL18W-200-35
PL18X-200-50
PL18Y-200-50
PL18U-200-50
PL18V-200-50
PL18W-200-50

订购信息 Ordering Information

PL18	X	-	20	1	-	50
键位及颜色 Key & Color		高压互锁 HVIL		线缆大小 Cable Size		
"X", 橙色 Orange		0, 不带互锁 No HVIL		"50"=50mm <sup>2</sup>		
"Y", 黑色 Black		1, 带互锁 With HVIL		"35"=35mm <sup>2</sup>		
"U", 黄色 Yellow				"25"=25mm <sup>2</sup>		
"V", 绿色 Green						
"W", 红色 Red						

规格参数 (Spec.):

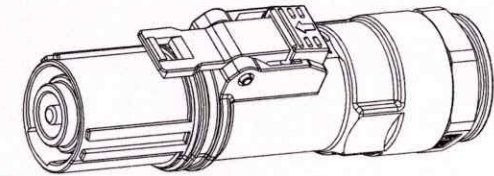
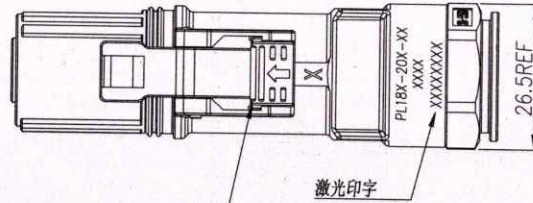
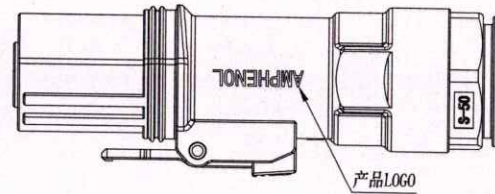
1. 工作温度 Operating temperature: -40° C~+125° C.
2. 额定电流 Current rating (Connector Only):  
25mm<sup>2</sup>:120 A;35mm<sup>2</sup>:150 A;50mm<sup>2</sup>:200 A.
3. 额定电压 Operating voltage:1000 VDC.
4. 耐电压 Dielectric withstanding voltage: 5000 VDC.
5. 防护等级 Protection class:IP67 & IP2X.
6. 电磁屏蔽 Shielding.
7. 机械寿命 Mating cycle:100 Min.
8. 带自动二次锁扣 Automatic secondary lock.
9. 带高压互锁 Electrical interlock (HVIL).
10. 配对插座 Mating receptacle : See drawing "PL00-200"

	Amphenol Technical Products International GZ					
	第三角投影 THIRD ANGLE PROJECTION	页面 SHEET	幅面 SIZE	版次 REV.	比例 SCALE	PART NAME: PowerLok 8mm 1POS Plug Assy
1 OF 1	A3	B	DWG NO: PL18-200			
签名 SIGNATURE Fred	日期 DATE 10/12/18	UNLESS OTHERWISE SPECIFIED 1) All dimensions are in metric(mm). 2) Tolerances are as follows: 0 PL DEC ±1.00 1 PL DEC ±0.50 2 PL DEC ±0.20			CUST PART #: N/A	CUST REV. -
制图 DRAWN	审核 CHECKED	批准 APPROVAL	Angles ±1°			

THIS DRAWING IS SUPPLIED FOR INFORMATION ONLY. DESIGN FEATURES, SPECIFICATIONS AND PERFORMANCE DATA SHOWN HEREON ARE THE PROPERTY OF THE AMPHENOL CORPORATION. NO RIGHTS OF REPRODUCTION ARE IMPLIED. ALL DIMENSIONS ARE SUBJECT TO NORMAL MANUFACTURING VARIATIONS.

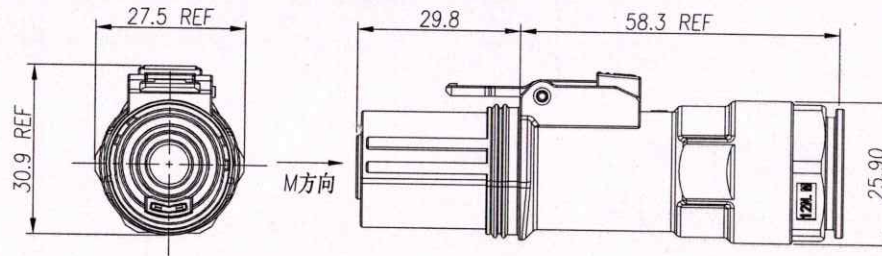
Customer Drawing

REVISIONS						
REV	ZONE	ECO	DESCRIPTION	DATE	BY	APPR
A	--	--	INITIAL RELEASE	07/14/15	RW	EC
B	--	--	首次发布	10/12/18	Fred	JL



Amphenol TPI  
2018-10-13  
REGISTERED COPY

按键颜色见“订购信息”  
The color of press key see “Ordering Information”



Standard Part List  
(With HVIL)

P/N
PL18X-201-25
PL18Y-201-25
PL18U-201-25
PL18V-201-25
PL18W-201-25
PL18X-201-35
PL18Y-201-35
PL18U-201-35
PL18V-201-35
PL18W-201-35
PL18X-201-50
PL18Y-201-50
PL18U-201-50
PL18V-201-50
PL18W-201-50

Standard Part List  
(Without HVIL)

P/N
PL18X-200-25
PL18Y-200-25
PL18U-200-25
PL18V-200-25
PL18W-200-25
PL18X-200-35
PL18Y-200-35
PL18U-200-35
PL18V-200-35
PL18W-200-35
PL18X-200-50
PL18Y-200-50
PL18U-200-50
PL18V-200-50
PL18W-200-50

订购信息 Ordering Information

PL18	X	-	20	1	-	50
键位及颜色 Key & Color		高压互锁 HVIL		线缆大小 Cable Size		
"X", 橙色 Orange		0, 不带互锁 No HVIL		"50"=50mm <sup>2</sup>		
"Y", 黑色 Black		1, 带互锁 With HVIL		"35"=35mm <sup>2</sup>		
"U", 黄色 Yellow				"25"=25mm <sup>2</sup>		
"V", 绿色 Green						
"W", 红色 Red						

规格参数 (Spec.):

1. 工作温度 Operating temperature: -40° C~+125° C.
2. 额定电流 Current rating (Connector Only):  
25mm<sup>2</sup>:120 A; 35mm<sup>2</sup>:150 A; 50mm<sup>2</sup>:200 A.
3. 额定电压 Operating voltage:1000 VDC.
4. 耐电压 Dielectric withstanding voltage: 5000 VDC.
5. 防护等级 Protection class:IP67 & IP2X.
6. 电磁屏蔽 Shielding.
7. 机械寿命 Mating cycle:100 Min.
8. 带自动二次锁扣 Automatic secondary lock.
9. 带高压互锁 Electrical interlock (HVIL).
10. 配对插座 Mating receptacle : See drawing "PL00-200"

	Amphenol Technical Products International GZ				
	第三角投影 THIRD ANGLE PROJECTION	页码 SHEET	幅面 SIZE	版次 REV.	比例 SCALE
签名 SIGNATURE	日期 DATE	UNLESS OTHERWISE SPECIFIED			图号 DWG NO.: PL18-200
制图 DRAWN Fred	10/12/18	1) All dimensions are in metric (mm). 2) Tolerances are as follows: 0 PL DEC ±1.00 1 PL DEC ±0.50 2 PL DEC ±0.20			客户零件号 CUST PART #: N/A
审核 CHECKED Steven	10.12	Angles ±1°			客户代表 CUST REV.: -
批准 APPROVAL					