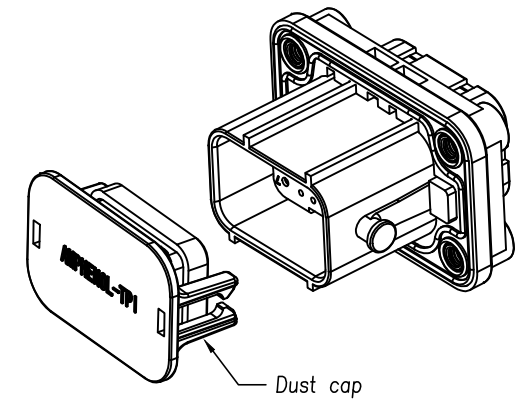
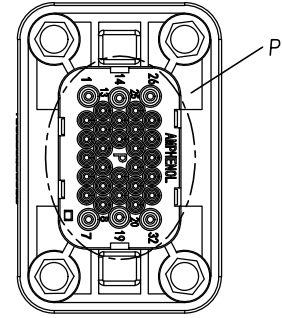
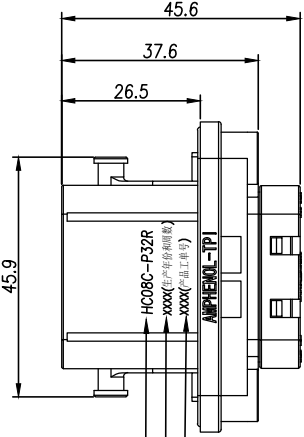
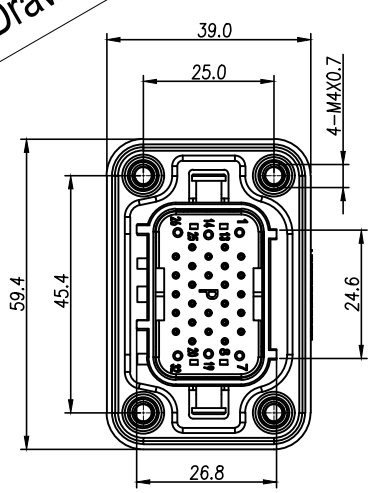


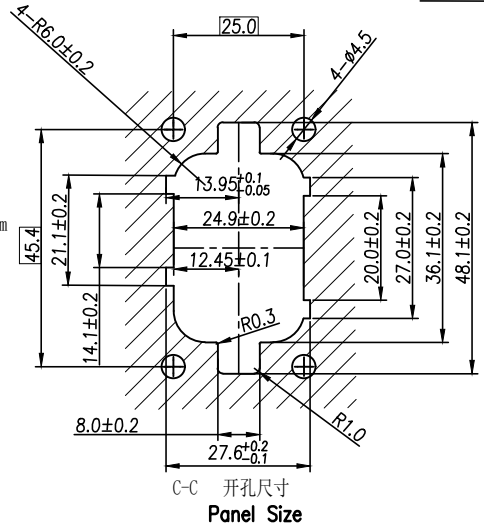
THIS DRAWING IS SUPPLIED FOR INFORMATION ONLY. DESIGN FEATURES, SPECIFICATIONS AND PERFORMANCE DATA SHOWN HEREON ARE THE PROPERTY OF THE AMPHENOL CORPORATION. NO RIGHTS OF REPRODUCTION ARE IMPLIED. ALL DIMENSIONS ARE SUBJECT TO NORMAL MANUFACTURING VARIATIONS.

REVISONS						
REV	ZONE	ECO	DESCRIPTION	DATE	BY	APPR
A	--	--	INITIAL RELEASE	09/20/18	FL	JL
B	--	--	Enhance IP Rating and Flame Class, add new applicable terminals	01/22/19	FL	JL

Customer Drawing

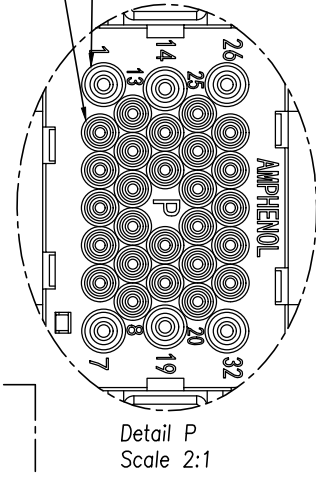
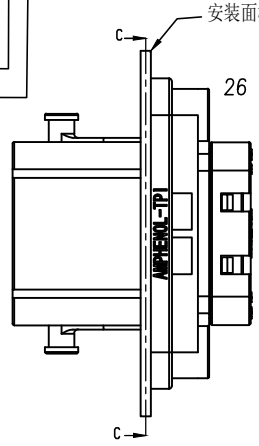


激光打标位置及内容如下:
 HC08C-P32R
 XXXX(生产年份和周数)
 XXXX(产品工单号)



安装面板要求:
 1. 厚度不超过6.5mm
 加上螺丝头厚度不超过8mm
 2. 平面度要求0.15mm
 3. 表面粗糙度Ra3.2

推荐面板开孔方向



- 规格参数 (Spec.):
- 工作温度 Operating Temperature: -40° C~+125° C.
 - 额定电流 Current Rating:
 Power: 13 A MAX.
 Signal: 5 A MAX.
 - 配对线径 Cable Size:
 3.1. Power: 14~18 AWG.
 3.2. Signal: 20~22 AWG.
 - 耐电压 Dielectric Withstanding Voltage: 3000 VDC.
 - 防护等级 Protection Class: IP68 (接头对配时 Mated connector).
 - 机械寿命 Mating Cycle: 100 Min.
 - 法兰盘螺丝安装扭矩
 Screw Assembly Torque on Flange: 1.6~2.4 Nm
 - 对配插头见图纸 Mating plug see drawing: "HC18B-S32"
 - 端子电镀信息
 Terminal plating specification: See below
 1. 当 XX=01 镍底, 整个端子镀金.
 When XX=01 Gold flash plate overall.
 2. 当 XX=02 镍底, 接触位置镀金10U"
 When XX=02 Contact plating 10u"
 3. 当 XX=03 镍底, 接触位置镀金30U"
 When XX=03 Contact plating 30u"
 4. 当 XX=04 镍底镀锡
 When XX=04 Tin over nickel
 - 防火等级 Flame Class: UL94V-0

订购信息 Ordering Information

HC08 C - P32 R

键位 Key: "C", blue
 安装类型 installation type: R, 法兰后 Rear the flange

Panel Size

适用端子型号 Used with terminal NO.					
端子种类 Terminal type	端子料号 Terminal P/N	适合电线 Wire range	Wire OD range 电线外径范围	盲堵种类 Seal type	盲堵料号 Seal P/N
16# (Power)	HCTM214XX	14 AWG	2.24~3.00mm	16# (Power)	AC-CP000383
	HCTM215XX	16~18 AWG			
	HCTM216XX				
20# (Signal)	HCTM120XX	20~22 AWG	1.35~2.50mm	20# (Signal)	AC-CP000382
	HCTM121XX				

"XX" 为电镀层编码, 详见规格参数
 "XX" =Plating suffix, see spec

		Amphenol Technical Products International GZ					
		第三角投影 THIRD ANGLE PROJECTION	页面 SHEET 1 of 1	幅面 SIZE A3	版次 REV. B	比例 SCALE B	PART NAME: HC 32CKT Rpt Rear Code C
签名 SIGNATURE 制图 DRAWN: FL 审核 CHECKED: YM 批准 APPROVAL: JL	日期 DATE 01/22/19 01/22/19 01/22/19	UNLESS OTHERWISE SPECIFIED 1) All dimensions are in metric(mm). 2) Tolerances are as follows: 0 PL DEC ±1.00 1 PL DEC ±0.50 2 PL DEC ±0.20			DWG NO: HC08C-P32R	CUST PART #: N/A	CUST REV. -