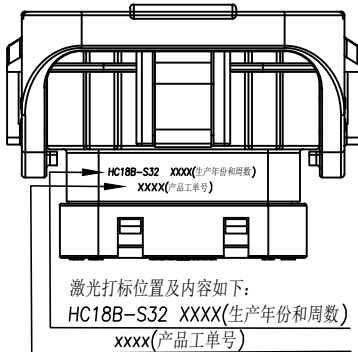
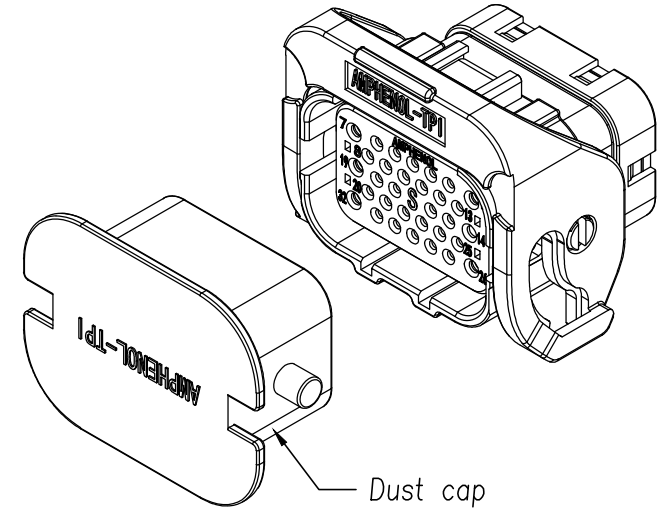
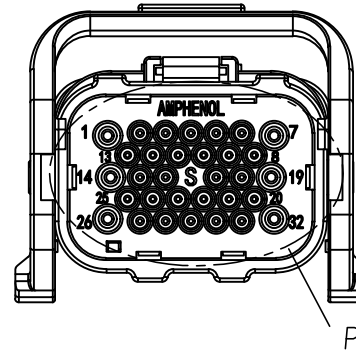
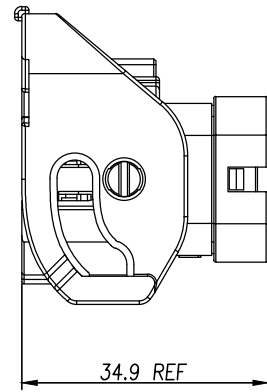
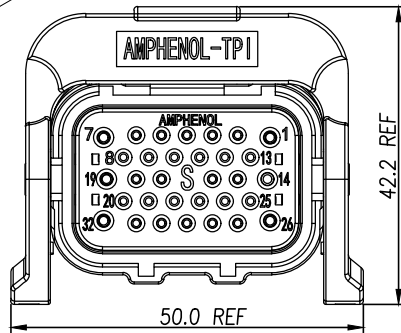


THIS DRAWING IS SUPPLIED FOR INFORMATION ONLY. DESIGN FEATURES, SPECIFICATIONS AND PERFORMANCE DATA SHOWN HEREON ARE THE PROPERTY OF THE AMPHENOL CORPORATION. NO RIGHTS OF REPRODUCTION ARE IMPLIED. ALL DIMENSIONS ARE SUBJECT TO NORMAL MANUFACTURING VARIATIONS.

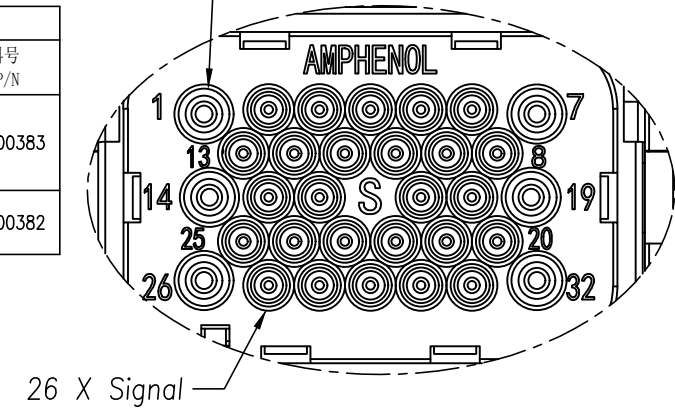
Customer Drawing

REVISIONS						
REV	ZONE	ECO	DESCRIPTION	DATE	BY	APPR
A	---	---	INITIAL RELEASE	05/06/15	RW	EC
B	---	---	Add the position and content of laser marking	08/27/18	FL	JL
C	---	---	update drawing	09/05/18	FL	JL
D	---	---	Enhance IP Rating and Flame Class, add new applicable terminals	11/26/18	FL	JL



适用端子型号 Used with terminal NO.					
端子种类 Terminal type	端子料号 Terminal P/N	适合电线 Wire range	Wire OD range 电线外径范围	盲堵种类 Seal type	盲堵料号 Seal P/N
16# (Power)	HCTF214XX	14 AWG	2.24~3.00mm	16# (Power)	AC-CP000383
	HCTF215XX	16~18 AWG			
	HCTF216XX				
20# (Signal)	HCTF120XX	20~22 AWG	1.35~2.50mm	20# (Signal)	AC-CP000382
	HCTF121XX				

6 X Power



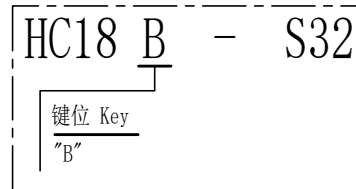
26 X Signal

Detail P  
Scale 2:1

规格参数 (Spec.):

- 工作温度 Operating Temperature: -40° C~+125° C.
- 额定电流 Current Rating: Power: 13 A MAX. Signal: 5 A MAX. "XX" 为电镀层编码, 详见规格参数 "XX" =Plating suffix, see spec
- 配对线径 Cable Size:
  - Power: 14~18 AWG.
  - Signal: 20~22 AWG.
- 耐电压 Dielectric Withstanding Voltage: 3000 VDC.
- 防护等级 Protection Class: IP68. (插座配对时 Mated connector)
- 机械寿命 Mating Cycle: 100 Min.
- 对配插头见图纸 Mating plug see drawing: "HC08B-P32R"
- 端子电镀信息 Terminal plating specification: See below
  - 当 XX=01 镍底, 整个端子镀金. When XX=01 Gold flash plate overall.
  - 当 XX=02 镍底, 接触位置镀金 10u" When XX=02 Contact plating 10u"
  - 当 XX=03 镍底, 接触位置镀金 30u" When XX=03 Contact plating 30u"
  - 当 XX=04 镍底镀锡 When XX=04 Tin over nickel
- 防火等级 Flame Class: UL94V-0

订购信息 Ordering Information



		Amphenol Technical Products International GZ					
第三角投影 THIRD ANGLE PROJECTION		页面 SHEET 1 of 1	幅面 SIZE A3	版次 REV. D	比例 SCALE	PART NAME: HC 32CKT Plug Straight Code B	
签名 SIGNATURE 制图 DRAWN FL 审核 CHECKED YM 批准 APPROVAL JL		日期 DATE 11/26/18 11/26/18 11/26/18		UNLESS OTHERWISE SPECIFIED 1) All dimensions are in metric(mm). 2) Tolerances are as follows: 0 PL DEC ±1.00 1 PL DEC ±0.50 2 PL DEC ±0.20		DWG NO: HC18B-S32 CUST PART #: N/A	
				Angles ±1°		CUST REV. -	