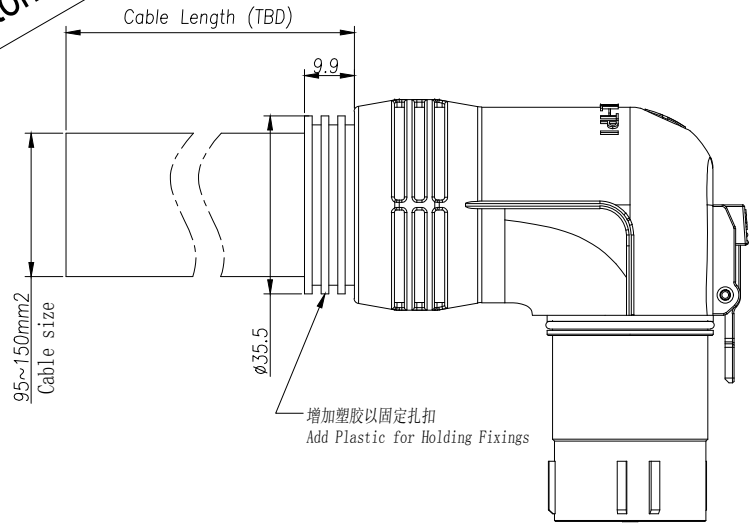


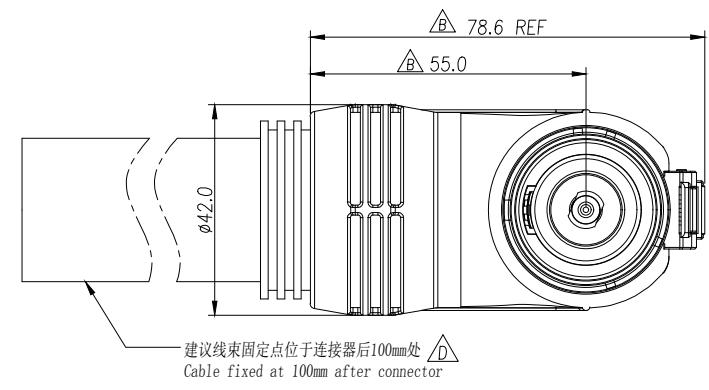
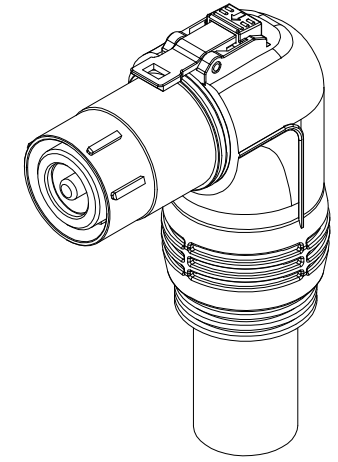
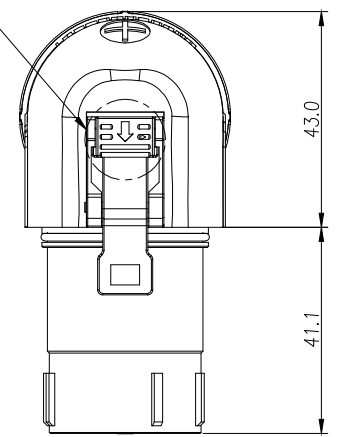
THIS DRAWING IS SUPPLIED FOR INFORMATION ONLY. DESIGN FEATURES, SPECIFICATIONS AND PERFORMANCE DATA SHOWN HEREON ARE THE PROPERTY OF THE AMPHENOL CORPORATION. NO RIGHTS OF REPRODUCTION ARE IMPLIED. ALL DIMENSIONS ARE SUBJECT TO NORMAL MANUFACTURING VARIATIONS.

REV		ZONE	ECO	DESCRIPTION	DATE	BY	APPR
A	--	--	--	Change The Color of Press Key	03/03/15	RW	EC
B	--	--	--	Change Overmold's Look	06/18/15	RW	EC
C	--	--	--	Update Cable specifications	12/12/17	Sam	Julie
D	--	--	--	Add Cable fixed point description	01/15/18	Sam	Julie
E	--	--	--	Update spec.	11/27/18	Fred	JL

**Customer Drawing**



△A 按键颜色见“订购信息”  
The color of press key see “Ordering Information”



订购信息 Ordering Information

**PL20 X - 50 0 - 150**

<b>键位及颜色 Key &amp; Color</b>	<b>高压互锁 HVIL</b>	<b>线缆大小 Cable Size</b>
"X", 橙色 Orange	0, 不带互锁 No HVIL	"150"=150mm <sup>2</sup>
"Y", 黑色 Black	1, 带互锁 With HVIL	"135"=135mm <sup>2</sup> △
"U", 黄色 Yellow		"120"=120mm <sup>2</sup>
"V", 绿色 Green		"95"=95mm <sup>2</sup>
"W", 红色 Red		"70"=70mm <sup>2</sup> △

规格参数 (Spec.):

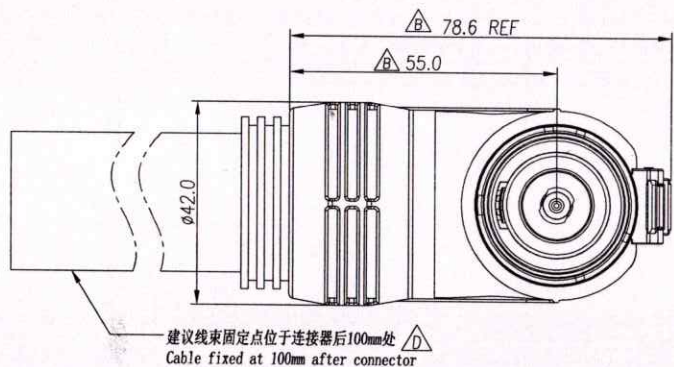
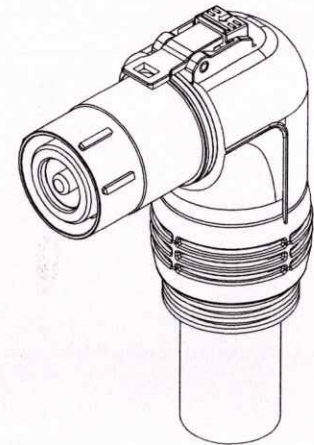
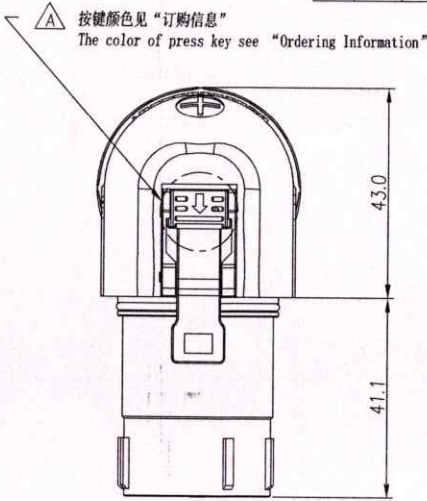
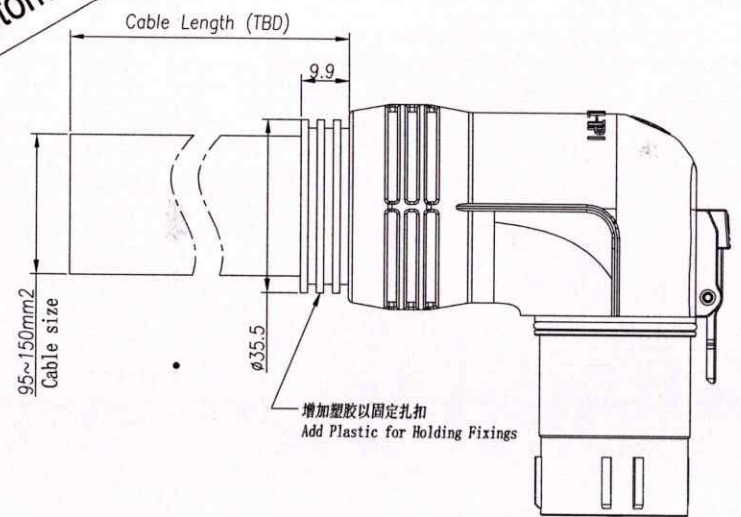
1. 工作温度 Operating temperature: -40° C~+125° C.
2. 额定电流 Current rating (Connector Only):  
70mm<sup>2</sup>: 250A; 95mm<sup>2</sup>: 300A; 120mm<sup>2</sup>: 400A; 135mm<sup>2</sup>: 450A; 150mm<sup>2</sup>: 500A. △
3. 额定电压 Operating voltage: 1000 VDC.
4. 耐电压 Dielectric withstanding voltage: 5000 VDC.
5. 防护等级 Protection class: IP67 & IP2X.
6. 电磁屏蔽 Shielding.
7. 机械寿命 Mating cycle: 100 Min. △
8. 带自动二次锁扣 Automatic secondary lock.
9. 带高压互锁 Electrical interlock (HVIL).
10. 对配插座见图纸 Mating receptacle see drawing: PL00-500.

	<b>Amphenol Technical Products International GZ</b>					PART NAME: PowerLok 14-90 1POS Plug HVIL		
	第三角投影 THIRD ANGLE PROJECTION	页面 SHEET	幅面 SIZE	版次 REV.	比例 SCALE	DWG NO: PL20-500		
签名 SIGNATURE Fred		日期 DATE 11/27/18		UNLESS OTHERWISE SPECIFIED 1) All dimensions are in metric(mm). 2) Tolerances are as follows: 0 PL DEC ±1.00 1 PL DEC ±0.50 2 PL DEC ±0.20			CUST PART #: N/A	
制图 DRAWN		审核 CHECKED		批准 APPROVAL		CUST REV. -		

THIS DRAWING IS SUPPLIED FOR INFORMATION ONLY. DESIGN FEATURES, SPECIFICATIONS AND PERFORMANCE DATA SHOWN HEREON ARE THE PROPERTY OF THE AMPHENOL CORPORATION. NO RIGHTS OF REPRODUCTION ARE IMPLIED. ALL DIMENSIONS ARE SUBJECT TO NORMAL MANUFACTURING VARIATIONS.

**Customer Drawing**

REVISIONS					
REV	ZONE	ECO	DESCRIPTION	DATE	BY APPR
A	--	--	Change The Color of Press Key	03/03/15	RW EC
B	--	--	Change Overmold's Look	06/18/15	RW EC
C	--	--	Update Cable specifications	12/12/17	Sam Julie
D	--	--	Add Cable fixed point description	01/15/18	Sam Julie
E	--	--	Update spec.	11/27/18	Fred JL



**订购信息 Ordering Information**

**PL20 X - 50 0 - 150**

<b>键位及颜色 Key &amp; Color</b>	<b>高压互锁 HVIL</b>	<b>线缆大小 Cable Size</b>
"X", 橙色 Orange	0, 不带互锁 No HVIL	"150"=150mm²
"Y", 黑色 Black	1, 带互锁 With HVIL	"135"=135mm²
"U", 黄色 Yellow		"120"=120mm²
"V", 绿色 Green		"95"=95mm²
"W", 红色 Red		"70"=70mm²

- 规格参数 (Spec.):**
- 工作温度 Operating temperature: -40° C~+125° C.
  - 额定电流 Current rating (Connector Only):  
70mm²: 250A; 95mm²: 300A; 120mm²: 400A; 135mm²: 450A; 150mm²: 500A. △
  - 额定电压 Operating voltage: 1000 VDC.
  - 耐电压 Dielectric withstanding voltage: 5000 VDC.
  - 防护等级 Protection class: IP67 & IP2X.
  - 电磁屏蔽 Shielding.
  - 机械寿命 Mating cycle: 100 Min. △
  - 带自动二次锁扣 Automatic secondary lock.
  - 带高压互锁 Electrical interlock (HVIL).
  - 对插座见图纸 Mating receptacle see drawing: PL00-500.

**Amphenol TPI**  
**2018-11-27**  
**REGISTERED COPY**

<b>AMPHENOL</b> <b>TPI</b>	<b>Amphenol Technical Products International GZ</b>				
	第三角投影 THIRD ANGLE PROJECTION	页码 SHEET	幅面 SIZE	版次 REV.	比例 SCALE
签名 SIGNATURE		日期 DATE		UNLESS OTHERWISE SPECIFIED	
制图 DRAWN Fred		11/27/18		1) All dimensions are in metric (mm).	
审核 CHECKED Sam		11.27		2) Tolerances are as follows:	
批准 APPROVAL Sam		2018.11.27		0 PL DEC ±1.00	
				1 PL DEC ±0.50	
				2 PL DEC ±0.20	
				Angles ±1°	
DWG NO: <b>PL20-500</b>			CUST PART #: <b>N/A</b>		
			CUST REV: <b>-</b>		