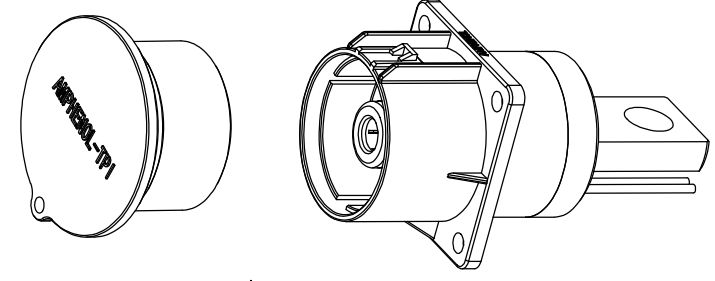
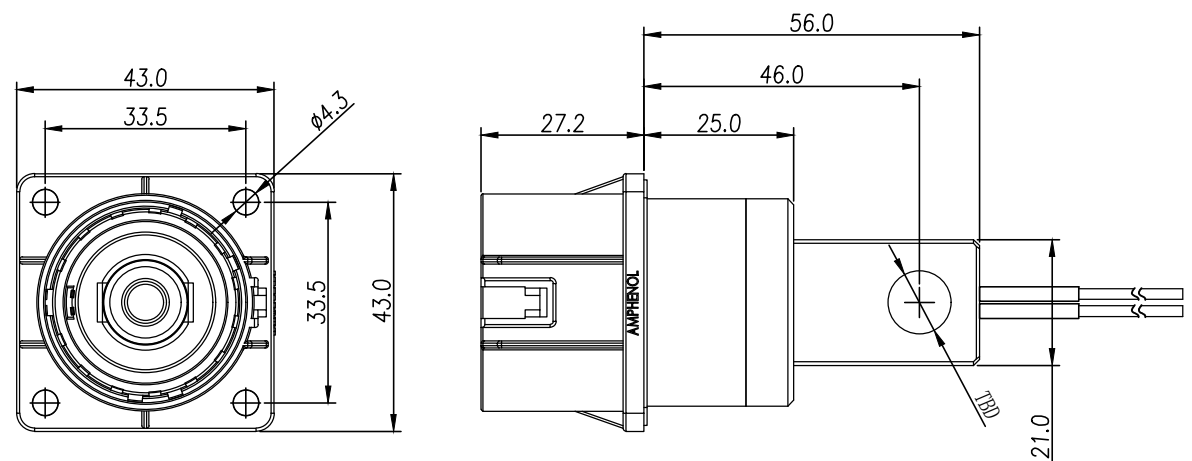


THIS DRAWING IS SUPPLIED FOR INFORMATION ONLY. DESIGN FEATURES, SPECIFICATIONS AND PERFORMANCE DATA SHOWN HEREON ARE THE PROPERTY OF THE AMPHENOL CORPORATION. NO RIGHTS OF REPRODUCTION ARE IMPLIED. ALL DIMENSIONS ARE SUBJECT TO NORMAL MANUFACTURING VARIATIONS.

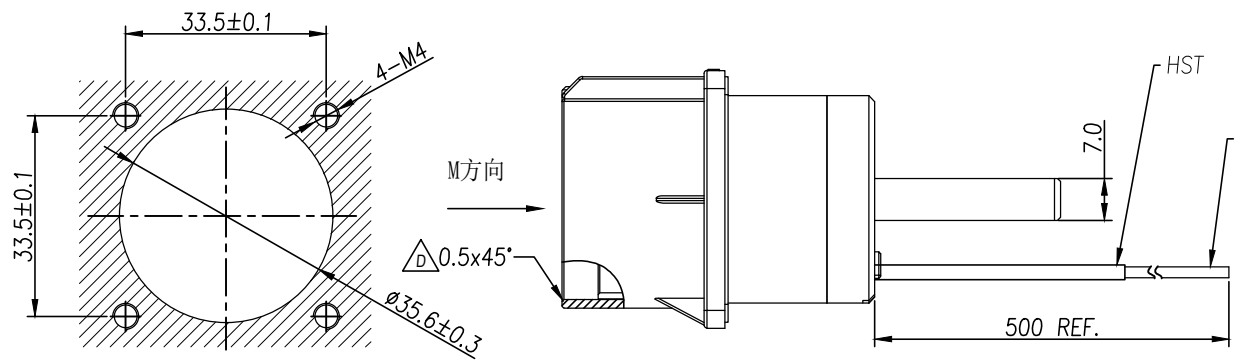
Customer Drawing

REVISIONS						
REV	ZONE	ECO	DESCRIPTION	DATE	BY	APPR
A	--	--	Add fasten torque on lug and flange	08/14/15	RW	TS
D	--	--	增加倒角标注	01/16/17	SW	TS
E	--	--	Increase the model	12/05/18	ST	JL
F	--	--	Correct Key Views	02/01/19	YM	JL



△ Standard Part List

P/N	Model NO.	Polarization
AC-HA002182	PL00X-500-10D8	X
AC-HA002183	PL00Y-500-10D8	Y
AC-HA000556	PL00U-500-10D8	U
AC-HA000557	PL00V-500-10D8	V
AC-HA000558	PL00W-500-10D8	W



△ Standard Part List (With HVIL)

P/N	Model NO.	Polarization
AC-HA000568	PL00X-501-10D8	X
AC-HA000569	PL00Y-501-10D8	Y
AC-HA000570	PL00U-501-10D8	U
AC-HA000571	PL00V-501-10D8	V
AC-HA000572	PL00W-501-10D8	W

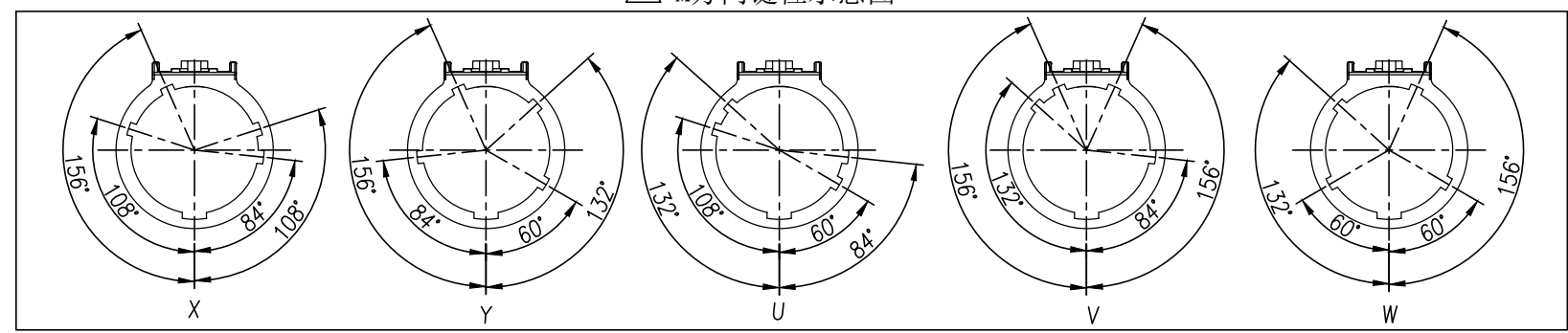
Standard Part List

P/N	Model NO.	Polarization
AC-HA000499	PL00X-500-10D10	X
AC-HA000500	PL00Y-500-10D10	Y
AC-HA000501	PL00U-500-10D10	U
AC-HA000502	PL00V-500-10D10	V
AC-HA000503	PL00W-500-10D10	W
AC-HA000504	PL00X-500-10M10	X
AC-HA000505	PL00Y-500-10M10	Y
AC-HA000506	PL00U-500-10M10	U
AC-HA000507	PL00V-500-10M10	V
AC-HA000508	PL00W-500-10M10	W
AC-HA002511	PL00X-500-10M8	X
AC-HA002512	PL00Y-500-10M8	Y
AC-HA002513	PL00U-500-10M8	U
AC-HA002514	PL00V-500-10M8	V
AC-HA002515	PL00W-500-10M8	W

Standard Part List (With HVIL)

P/N	Model NO.	Polarization
AC-HA000489	PL00X-501-10D10	X
AC-HA000490	PL00Y-501-10D10	Y
AC-HA000491	PL00U-501-10D10	U
AC-HA000492	PL00V-501-10D10	V
AC-HA000493	PL00W-501-10D10	W
AC-HA000494	PL00X-501-10M10	X
AC-HA000495	PL00Y-501-10M10	Y
AC-HA000496	PL00U-501-10M10	U
AC-HA000497	PL00V-501-10M10	V
AC-HA000498	PL00W-501-10M10	W
AC-HA002460	PL00X-501-10M8	X
AC-HA002461	PL00Y-501-10M8	Y
AC-HA002462	PL00U-501-10M8	U
AC-HA002463	PL00V-501-10M8	V
AC-HA002464	PL00W-501-10M8	W

△ M方向键位示意图

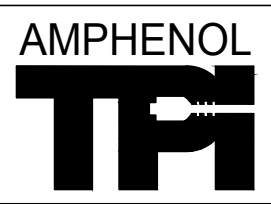


规格参数 (Spec.):

- 工作温度 Operating temperature: -40° C~+125° C.
- 带高压互锁 Electrical interlock (HVIL).
- 额定电流 Current rating: Power: 500A; HVIL: 5A.
- 额定电压 Operating voltage: Power: 1000 VDC; Signal: 60 VDC.
- 耐电压 Dielectric withstanding voltage:
  - 与插头对插后, Pin与铁壳之间 After matting, between pin and metal shell :5000 VDC.
  - 与插头对插后, Pin与HVIL之间 After matting, between pin and HVIL :5000 VDC.
  - 与插头对插后, HVIL与铁壳之间 After matting, between HVIL and metal shell :500 VDC.
  - 与插头对插前, 两个HVIL端子之间耐压 Before matting, between two HVIL terminals :500 VDC.
- 防护等级 Protection class: IP67 & IP2X.
- 电磁屏蔽 Shielding.
- 机械寿命 Mating cycle: 100 Min.
- 带自动二次锁扣 Automatic secondary lock.
- 铜排推荐安装扭矩 Recommended Fasten Torque on Lug:
  - M6 : 3.6~4.4 Nm
  - M8 : 7.2~8.8 Nm
  - M10: 17.1~20.9 Nm
- 推荐法兰盘螺丝安装扭矩 Recommended Screw Assembly Torque on Flange : 1.6~2.4 Nm

订购信息 Ordering Information

PL00	X	-	50	0	-	10	D	10
键位及颜色 Key & Color	高压互锁 HVIL	孔种类 Hole Type	联接螺栓 Bolt Size					
"X", 橙色 Orange	0, 不带互锁 No HVIL	D, 通孔 Through Hole	Customer Define					
"Y", 黑色 Black	1, 带互锁 With HVIL	M, 螺孔 Screw Hole						
"U", 黄色 Yellow								
"V", 绿色 Green								
"W", 红色 Red								



Amphenol Technical Products International GZ

第三角投影 THIRD ANGLE PROJECTION	页面 SHEET	幅面 SIZE	版次 REV.	比例 SCALE	PART NAME: PwrLok 14mm 1POS Rcpt Lug
1 of 1	A3	F			DWG NO: PL00-500-10
UNLESS OTHERWISE SPECIFIED	1) All dimensions are in metric(mm).				CUST PART #: N/A
	2) Tolerances are as follows:				CUST REV. -
	0 PL DEC ±1.00				
	1 PL DEC ±0.50				
	2 PL DEC ±0.20				
	Angles ±1°				

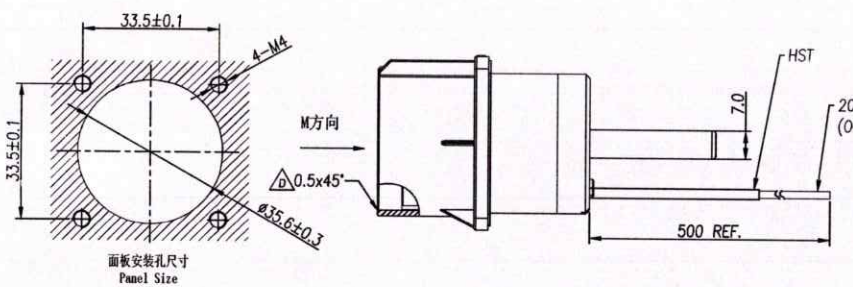
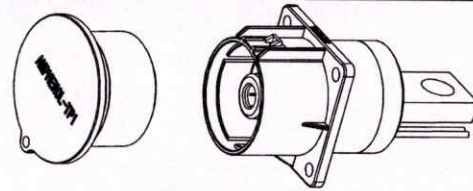
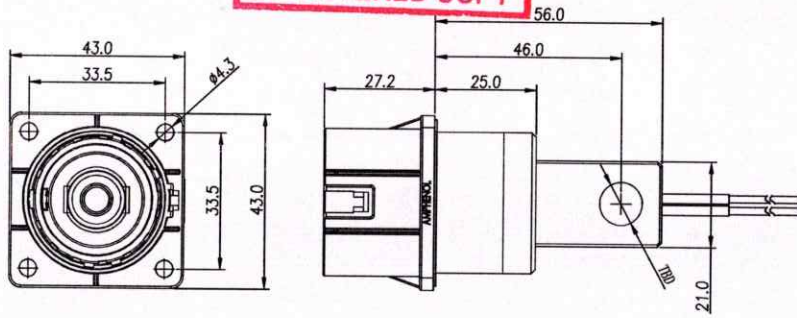
签名 SIGNATURE	日期 DATE
制图 DRAWN	YM.Zeng
审核 CHECKED	
批准 APPROVAL	

THIS DRAWING IS SUPPLIED FOR INFORMATION ONLY. DESIGN FEATURES, SPECIFICATIONS AND PERFORMANCE DATA SHOWN HEREON ARE THE PROPERTY OF THE AMPHENOL CORPORATION. NO RIGHTS OF REPRODUCTION ARE IMPLIED. ALL DIMENSIONS ARE IN MILLIMETERS UNLESS OTHERWISE SPECIFIED.

Customer Drawing

Amphenol TPI  
2019-02-01  
REGISTERED COPY

REVISIONS						
REV	ZONE	ECO	DESCRIPTION	DATE	BY	APPR
A	---	---	Add fasten torque on lug and flange	08/14/15	RW	TS
D	---	---	增加倒角标注	01/16/17	SW	TS
E	---	---	Increase the model	12/05/18	ST	JL
F	---	---	Correct Key Views	02/01/19	YM	JL



Standard Part List

P/N	Model NO.	Polarization
AC-HA002182	PL00X-500-10D8	X
AC-HA002183	PL00Y-500-10D8	Y
AC-HA000556	PL00U-500-10D8	U
AC-HA000557	PL00V-500-10D8	V
AC-HA000558	PL00W-500-10D8	W

Standard Part List

P/N	Model NO.	Polarization
AC-HA000499	PL00X-500-10D10	X
AC-HA000500	PL00Y-500-10D10	Y
AC-HA000501	PL00U-500-10D10	U
AC-HA000502	PL00V-500-10D10	V
AC-HA000503	PL00W-500-10D10	W
AC-HA000504	PL00X-500-10M10	X
AC-HA000505	PL00Y-500-10M10	Y
AC-HA000506	PL00U-500-10M10	U
AC-HA000507	PL00V-500-10M10	V
AC-HA000508	PL00W-500-10M10	W
AC-HA002511	PL00X-500-10M8	X
AC-HA002512	PL00Y-500-10M8	Y
AC-HA002513	PL00U-500-10M8	U
AC-HA002514	PL00V-500-10M8	V
AC-HA002515	PL00W-500-10M8	W

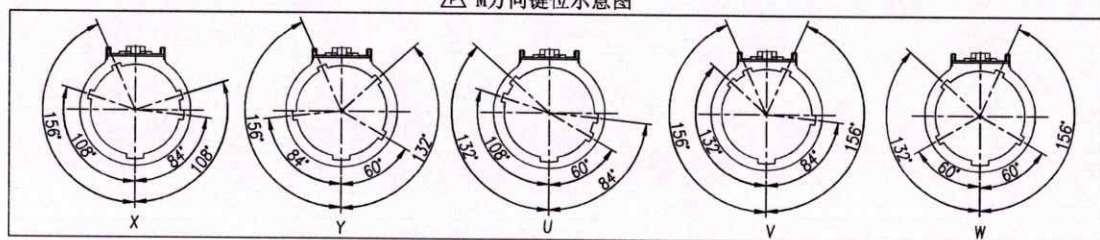
Standard Part List (With HVIL)

P/N	Model NO.	Polarization
AC-HA000568	PL00X-501-10D8	X
AC-HA000569	PL00Y-501-10D8	Y
AC-HA000570	PL00U-501-10D8	U
AC-HA000571	PL00V-501-10D8	V
AC-HA000572	PL00W-501-10D8	W

Standard Part List (With HVIL)

P/N	Model NO.	Polarization
AC-HA000489	PL00X-501-10D10	X
AC-HA000490	PL00Y-501-10D10	Y
AC-HA000491	PL00U-501-10D10	U
AC-HA000492	PL00V-501-10D10	V
AC-HA000493	PL00W-501-10D10	W
AC-HA000494	PL00X-501-10M10	X
AC-HA000495	PL00Y-501-10M10	Y
AC-HA000496	PL00U-501-10M10	U
AC-HA000497	PL00V-501-10M10	V
AC-HA000498	PL00W-501-10M10	W
AC-HA002460	PL00X-501-10M8	X
AC-HA002461	PL00Y-501-10M8	Y
AC-HA002462	PL00U-501-10M8	U
AC-HA002463	PL00V-501-10M8	V
AC-HA002464	PL00W-501-10M8	W

M方向键位示意图



- 规格参数 (Spec.):
- 工作温度 Operating temperature: -40°C ~ +125°C
  - 带高压互锁 Electrical interlock (HVIL)
  - 额定电流 Current rating: Power: 500A; HVIL: 5A
  - 额定电压 Operating voltage: Power: 1000 VDC; Signal: 60 VDC
  - 耐电压 Dielectric withstanding voltage:
    - 与插头对插后, Pin与铁壳之间 After mating, between pin and metal shell : 5000 VDC.
    - 与插头对插后, Pin与HVIL之间 After mating, between pin and HVIL : 5000 VDC.
    - 与插头对插后, HVIL与铁壳之间 After mating, between HVIL and metal shell : 500 VDC.
    - 与插头对插前, 两个HVIL端子之间耐压 Before mating, between two HVIL terminals : 500 VDC.
  - 防护等级 Protection class: IP67 & IP2X
  - 电磁屏蔽 Shielding.
  - 机械寿命 Mating cycle: 100 Min.
  - 带自动二次锁扣 Automatic secondary lock.
  - 铜排推荐安装扭矩 Recommended Fasten Torque on Lug:
    - M6 : 3.6~4.4 Nm
    - M8 : 7.2~8.8 Nm
    - M10: 17.1~20.9 Nm
  - 推荐法兰盘螺丝安装扭矩 Recommended Screw Assembly Torque on Flange : 1.6~2.4 Nm

订购信息 Ordering Information

PL00	X	-	50	0	-	10	D	10
键位及颜色 Key & Color	高压互锁 HVIL	孔种类 Hole Type	联接螺栓 Bolt Size					
"X", 橙色 Orange	0, 不带互锁 No HVIL	D, 通孔 Through Hole	Customer Define					
"Y", 黑色 Black	1, 带互锁 With HVIL	M, 螺孔 Screw Hole						
"U", 黄色 Yellow								
"V", 绿色 Green								
"W", 红色 Red								

	Amphenol Technical Products International GZ				
	第三角投影 THIRD ANGLE PROJECTION	页面 SHEET	幅面 SIZE	版次 REV.	比例 SCALE
签名 SIGNATURE	日期 DATE	UNLESS OTHERWISE SPECIFIED			DWG NO:
制图 DRAWN	YMLZeng	02/01/19	1) All dimensions are in metric (mm).		
审核 CHECKED	Fred	12/01/19	2) Tolerances are as follows:		
批准 APPROVAL	Jamb	2019.2.1	0 PL DEC ±1.00	1 PL DEC ±0.50	2 PL DEC ±0.20
			Angle ±1°	CUST PART #	CUST REV.
				N/A	-