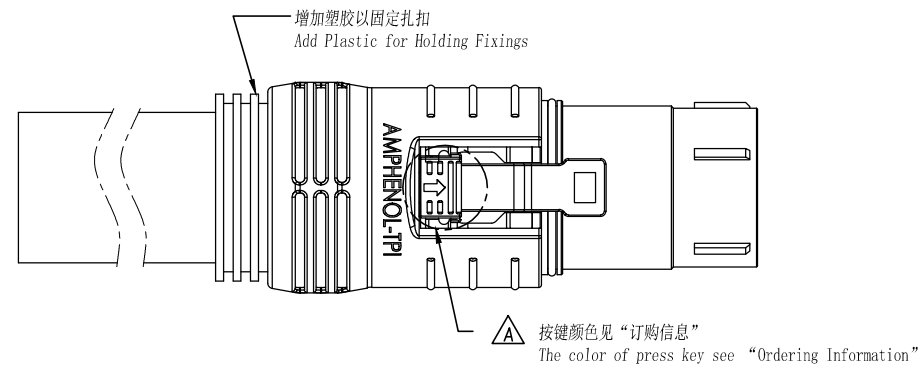
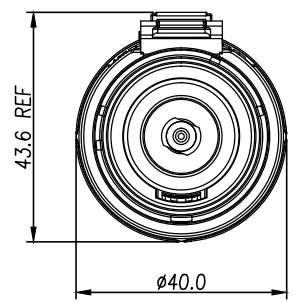
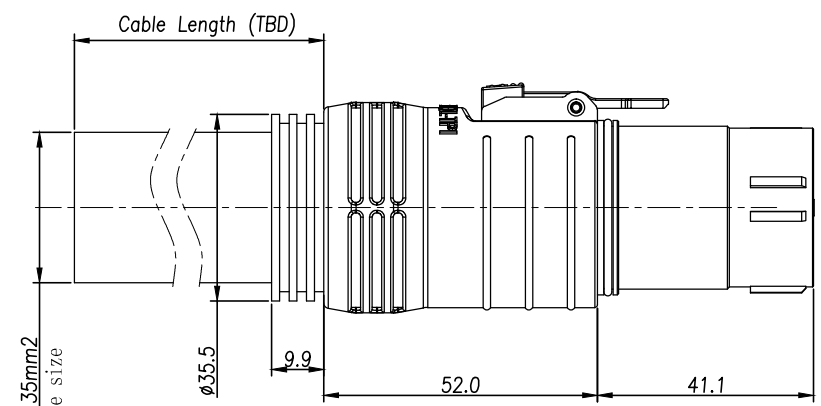
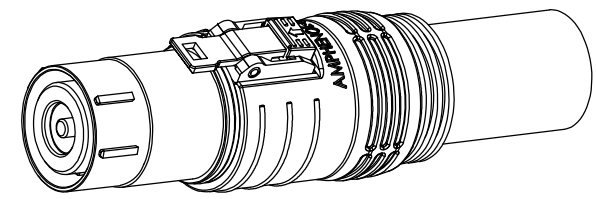


THIS DRAWING IS SUPPLIED FOR INFORMATION ONLY. DESIGN FEATURES, SPECIFICATIONS AND PERFORMANCE DATA SHOWN HEREON ARE THE PROPERTY OF THE AMPHENOL CORPORATION. NO RIGHTS OF REPRODUCTION ARE IMPLIED. ALL DIMENSIONS ARE SUBJECT TO NORMAL MANUFACTURING VARIATIONS.

REVISIONS						
REV	ZONE	ECO	DESCRIPTION	DATE	BY	APPR
A	--	--	Change The Color of Press Key	03/03/15	RW	EC
B	--	--	Add Plastic for Holding Fixings	08/20/15	RW	EC

Customer Drawing



订购信息 Ordering Information

PL10 X - 40 0 - 135		
键位及颜色 Key & Color	高压互锁 HVIL	线缆大小 Cable Size
"X", 橙色 Orange	0, 不带互锁 No HVIL	"135"=135mm ²
"Y", 黑色 Black	1, 带互锁 With HVIL	"120"=120mm ²
"U", 黄色 Yellow		"95"=95mm ²
"V", 绿色 Green		"70"=70mm ²
"W", 红色 Red		

规格参数 (Spec.):

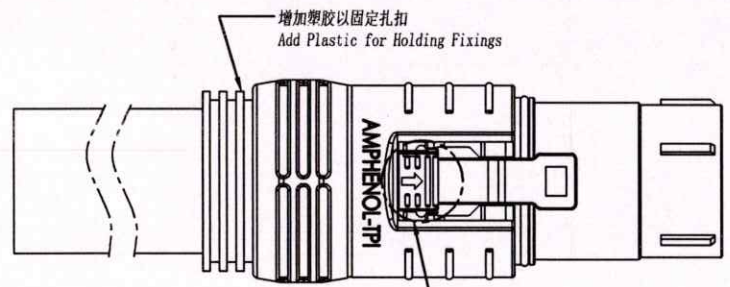
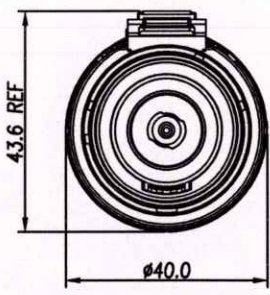
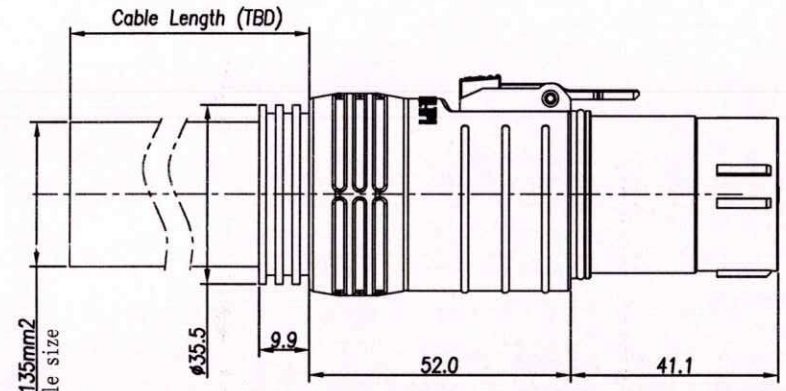
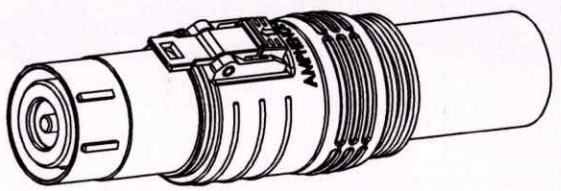
- 工作温度 Operating temperature: -40° C~+125° C.
- 额定电流 Current rating (Connector Only): 400 A.
- 额定电压 Operating voltage: 1000 VDC.
- 耐电压 Dielectric withstanding voltage: 5000 VDC.
- 防护等级 Protection class: IP67.
- 电磁屏蔽 Shielding.
- 机械寿命 Mating cycle: 500 Min.
- 带自动二次锁扣 Automatic secondary lock.
- 带高压互锁 Electrical interlock (HVIL).
- 对配插座见图纸 Mating receptacle see drawing: PL00-400.

		Amphenol Technical Products International GZ				PART NAME:	
		第三角投影 THIRD ANGLE PROJECTION	页面 SHEET	幅面 SIZE	版次 REV.	比例 SCALE	PowerLok 12mm IPOS Plug
签名 SIGNATURE		日期 DATE		UNLESS OTHERWISE SPECIFIED		DWG NO:	
制图 DRAWN	RW	09/22/13		1) All dimensions are in metric (mm).		PL10-400	
审核 CHECKED	GX	09/22/13		2) Tolerances are as follows:		CUST PART #:	
批准 APPROVAL	EC	09/22/13		0 PL DEC ±1.00 1 PL DEC ±0.50 2 PL DEC ±0.20		N/A	
				Angles ±1°		CUST REV.	
						-	

THIS DRAWING IS SUPPLIED FOR INFORMATION ONLY. DESIGN FEATURES, SPECIFICATIONS AND PERFORMANCE DATA SHOWN HEREON ARE THE PROPERTY OF THE AMPHENOL CORPORATION. NO RIGHTS OF REPRODUCTION ARE IMPLIED. ALL DIMENSIONS ARE SUBJECT TO NORMAL MANUFACTURING VARIATIONS.

REVISIONS						
REV	ZONE	ECO	DESCRIPTION	DATE	BY	APPR
A	---	---	Change The Color of Press Key	03/03/15	RW	EC
B	---	---	Add Plastic for Holding Fixings	08/20/15	RW	EC

Customer Drawing



△ 按键颜色见“订购信息”
The color of press key see "Ordering Information"

订购信息 Ordering Information

PL10 X - 40 0 - 135

键位及颜色 Key & Color	高压互锁 HVIL	线缆大小 Cable Size
"X", 橙色 Orange	0, 不带互锁 No HVIL	"135"=135mm ²
"Y", 黑色 Black	1, 带互锁 With HVIL	"120"=120mm ²
"U", 黄色 Yellow		"95"=95mm ²
"V", 绿色 Green		"70"=70mm ²
"W", 红色 Red		

- 规格参数 (Spec.):
1. 工作温度 Operating temperature: -40° C~+125° C.
 2. 额定电流 Current rating (Connector Only): 400 A.
 3. 额定电压 Operating voltage: 1000 VDC.
 4. 耐电压 Dielectric withstanding voltage: 5000 VDC.
 5. 防护等级 Protection class: IP67.
 6. 电磁屏蔽 Shielding.
 7. 机械寿命 Mating cycle: 500 Min.
 8. 带自动二次锁扣 Automatic secondary lock.
 9. 带高压互锁 Electrical interlock (HVIL).
 10. 对配插座见图纸 Mating receptacle see drawing: PL00-400.

Amphenol TPI
 2018-08-23
 REGISTERED COPY

		Amphenol Technical Products International GZ				PART NAME	
		第三角投影 THIRD ANGLE PROJECTION	张数 SHEET	幅面 SIZE	版次 REV.	比例 SCALE	PowerLok 12mm IPOS Plug
签名 SIGNATURE		日期 DATE		UNLESS OTHERWISE SPECIFIED		PART NO.	
制图 DRAWN		09/22/13		1) All dimensions are in metric (mm).		PL10-400	
审核 CHECKED		09/22/13		2) Tolerances are as follows:		CURT PART #	
批准 APPROVAL		09/22/13		0 PL DEC ±1.00		N/A	
				1 PL DEC ±0.50		CURT REV.	
				2 PL DEC ±0.30		-	
				Angles ±1°			

Fred 2018-8-23