

THIS DRAWING IS SUPPLIED FOR INFORMATION ONLY. DESIGN FEATURES, SPECIFICATIONS AND PERFORMANCE DATA SHOWN HEREON ARE THE PROPERTY OF THE AMPHENOL CORPORATION. NO RIGHTS OF REPRODUCTION ARE IMPLIED. ALL DIMENSIONS ARE SUBJECT TO NORMAL MANUFACTURING VARIATIONS.

Customer Drawing

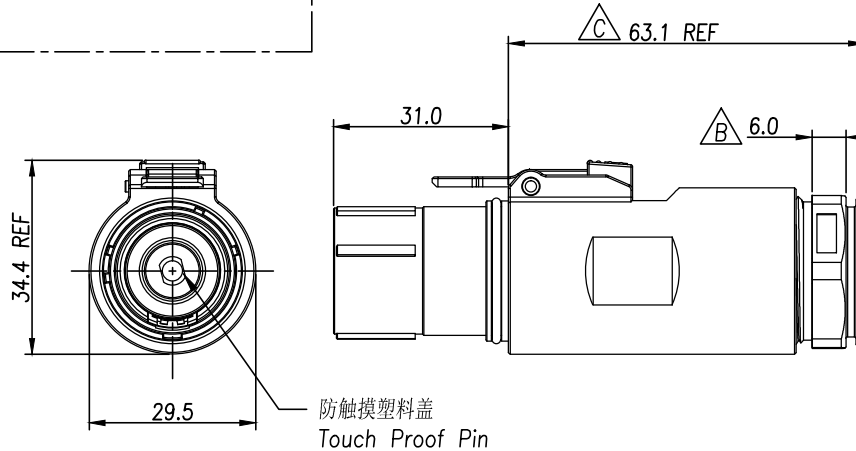
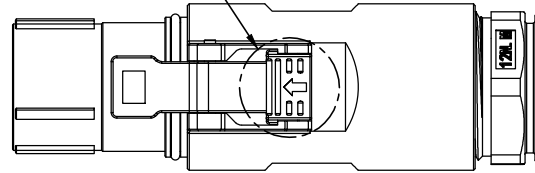
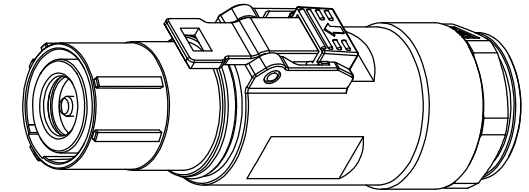
插头 - 非屏蔽线 PLUG - UNSHIELDING CABLE

REVISIONS					
REV	ZONE	ECO	DESCRIPTION	DATE	BY APPR
A	--	--	INITIAL RELEASE	06/24/15	RW EC
B	--	--	Rear nut increase 1mm, reduced inner diameter	09/08/15	RW GX
C	--	--	Change back shell	09/29/16	RW TS

订购信息 Ordering Information

PL48	X	-	30	1	-	70
键位及颜色 Key & Color		高压互锁 HVIL		线缆大小 Cable Size		
"X", 橙色 Orange		0, 不带互锁 No HVIL		"70"=70mm ²		
"Y", 黑色 Black		1, 带互锁 With HVIL		"50"=50mm ²		
"U", 黄色 Yellow				"35"=35mm ²		
"V", 绿色 Green						
"W", 红色 Red						
"T", 蓝色 Blue						

按键颜色见“订购信息”
The color of press key see "Ordering Information"



P/N	Model NO.	Accepted Wire OD	P/N	Model NO.	Accepted Wire OD
AC-HA002603	PL48X-301-35	11.5±0.3	AC-HA002608	PL48X-300-35	11.5±0.3
AC-HA002604	PL48Y-301-35		AC-HA002609	PL48Y-300-35	
AC-HA002605	PL48U-301-35		AC-HA002610	PL48U-300-35	
AC-HA002606	PL48V-301-35		AC-HA002611	PL48V-300-35	
AC-HA002607	PL48W-301-35	13.6±0.3	AC-HA002612	PL48W-300-35	13.6±0.3
AC-HA002613	PL48X-301-50		AC-HA002618	PL48X-300-50	
AC-HA002614	PL48Y-301-50		AC-HA002619	PL48Y-300-50	
AC-HA002615	PL48U-301-50		AC-HA002620	PL48U-300-50	
AC-HA002616	PL48V-301-50	15.5±0.3	AC-HA002621	PL48V-300-50	15.5±0.3
AC-HA002617	PL48W-301-50		AC-HA002622	PL48W-300-50	
AC-HA002623	PL48X-301-70		AC-HA002628	PL48X-300-70	
AC-HA002624	PL48Y-301-70		AC-HA002629	PL48Y-300-70	
AC-HA002625	PL48U-301-70	15.5±0.3	AC-HA002630	PL48U-300-70	15.5±0.3
AC-HA002626	PL48V-301-70		AC-HA002631	PL48V-300-70	
AC-HA002627	PL48W-301-70		AC-HA002632	PL48W-300-70	

规格参数 (Spec.):

1. 工作温度 Operating temperature: -40° C~+125° C.
2. 额定电流 Current rating (Connector Only): 300 A.
3. 额定电压 Operating voltage: 1000 VDC.
4. 耐电压 Dielectric withstanding voltage: 5000 VDC.
5. 防护等级 Protection class: IP67 & IP2X.
6. 机械寿命 Mating cycle: 100 Min.
7. 带自动二次锁扣 Automatic secondary lock.
8. 带高压互锁 Electrical interlock (HVIL).
9. 配对插座 Mating receptacle: See drawing "PL00-300"

	Amphenol Technical Products International GZ				
	第三角投影 THIRD ANGLE PROJECTION	页 面 SHEET	幅 面 SIZE	版 次 REV.	比 例 SCALE
签名 SIGNATURE	日期 DATE	UNLESS OTHERWISE SPECIFIED			DWG NO: PL48-300
制图 DRAWN	RW	1) All dimensions are in metric (mm).	2) Tolerances are as follows:		CUST PART #: N/A
审核 CHECKED	GX	0 PL DEC ±1.00	1 PL DEC ±0.50		CUST REV. -
批准 APPROVAL	EC	06/24/15	2 PL DEC ±0.20		Angles ±1°

THIS DRAWING IS SUPPLIED FOR INFORMATION ONLY. DESIGN FEATURES, SPECIFICATIONS AND PERFORMANCE DATA SHOWN HEREON ARE THE PROPERTY OF THE AMPHENOL CORPORATION. NO RIGHTS OF REPRODUCTION ARE IMPLIED. ALL DIMENSIONS ARE SUBJECT TO NORMAL MANUFACTURING VARIATIONS.

Customer Drawing

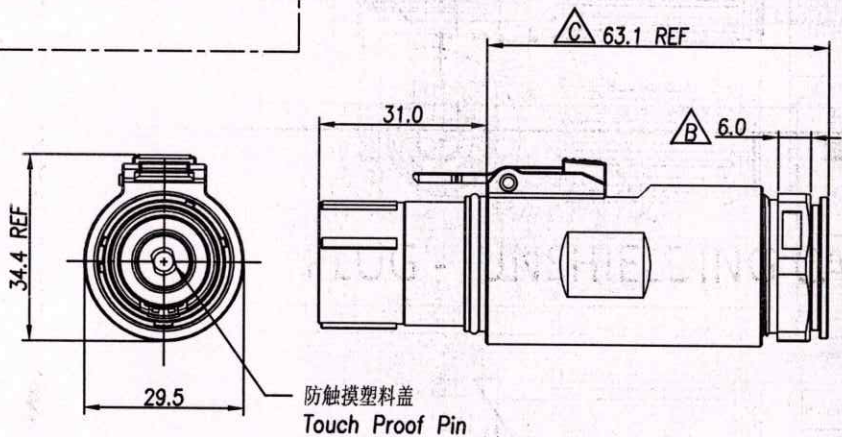
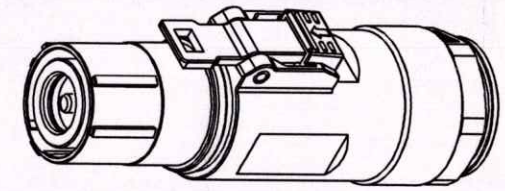
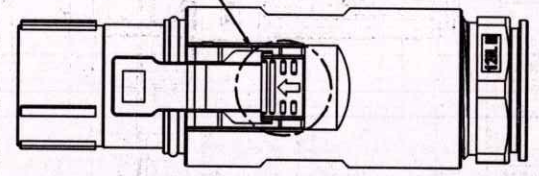
插头 - 非屏蔽线 PLUG - UNSHIELDING CABLE

REVISIONS					
REV	ZONE	ECO	DESCRIPTION	DATE	BY / APPR
A	---	---	INITIAL RELEASE	06/24/15	RW / EC
B	---	---	Rear nut increase 1mm, reduced inner diameter	09/08/15	RW / GX
C	---	---	Change back shell	09/29/16	RW / TS

订购信息 Ordering Information

PL48	X	-	30	1	-	70
键位及颜色 Key & Color		高压互锁 HVIL		线缆大小 Cable Size		
"X", 橙色 Orange		0, 不带互锁 No HVIL		"70"=70mm ²		
"Y", 黑色 Black		1, 带互锁 With HVIL		"50"=50mm ²		
"U", 黄色 Yellow					"35"=35mm ²	
"V", 绿色 Green						
"W", 红色 Red						
"T", 蓝色 Blue						

按键颜色见“订购信息”
The color of press key see "Ordering Information"



P/N	Model NO.	Accepted Wire OD	P/N	Model NO.	Accepted Wire OD
AC-HA002603	PL48X-301-35	11.5 ± 0.3	AC-HA002608	PL48X-300-35	11.5 ± 0.3
AC-HA002604	PL48Y-301-35		AC-HA002609	PL48Y-300-35	
AC-HA002605	PL48U-301-35		AC-HA002610	PL48U-300-35	
AC-HA002606	PL48V-301-35		AC-HA002611	PL48V-300-35	
AC-HA002607	PL48W-301-35		AC-HA002612	PL48W-300-35	
AC-HA002613	PL18X-301-50	13.6 ± 0.3	AC-HA002618	PL18X-300-50	13.6 ± 0.3
AC-HA002614	PL48Y-301-50		AC-HA002619	PL48Y-300-50	
AC-HA002615	PL48U-301-50		AC-HA002620	PL48U-300-50	
AC-HA002616	PL48V-301-50	15.5 ± 0.3	AC-HA002621	PL48V-300-50	15.5 ± 0.3
AC-HA002617	PL48W-301-50		AC-HA002622	PL48W-300-50	
AC-HA002623	PL48X-301-70		AC-HA002628	PL48X-300-70	
AC-HA002624	PL48Y-301-70		AC-HA002629	PL48Y-300-70	
AC-HA002625	PL48U-301-70	15.5 ± 0.3	AC-HA002630	PL48U-300-70	15.5 ± 0.3
AC-HA002626	PL48V-301-70		AC-HA002631	PL48V-300-70	
AC-HA002627	PL48W-301-70		AC-HA002632	PL48W-300-70	

Amphenol TPI
 2018-08-22
REGISTERED COPY

- 规格参数 (Spec.):
- 工作温度 Operating temperature: -40° C ~ +125° C.
 - 额定电流 Current rating (Connector Only): 300 A.
 - 额定电压 Operating voltage: 1000 VDC.
 - 耐电压 Dielectric withstanding voltage: 5000 VDC.
 - 防护等级 Protection class: IP67 & IP2X.
 - 机械寿命 Mating cycle: 100 Min.
 - 带自动二次锁扣 Automatic secondary lock.
 - 带高压互锁 Electrical interlock (HVIL).
 - 配对插座 Mating receptacle: See drawing "PL00-300"

		Amphenol Technical Products International GZ				
		第三角投影 THIRD ANGLE PROJECTION	页面 SHEET	幅面 SIZE	版次 REL.	比例 SCALE
签名 SIGNATURE 日期 DATE 06/24/15		1 of 1 A3 C		PART NO. PL48-300		
审核 CHECKED 日期 DATE 06/24/15		UNLESS OTHERWISE SPECIFIED 1) All dimensions are in metric (mm). 2) Tolerances are as follows: 0 PL DEC ±1.00 1 PL DEC ±0.50 2 PL DEC ±0.30 Angles ±1°		CURT PART # N/A		
批准 APPROVAL 日期 DATE 06/24/15				CURT REL. -		

Pre 2018-8-21 2018-8-21