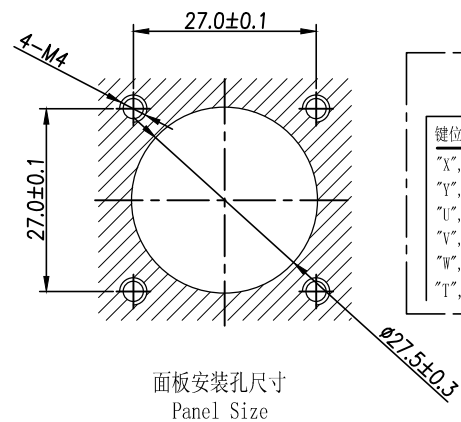
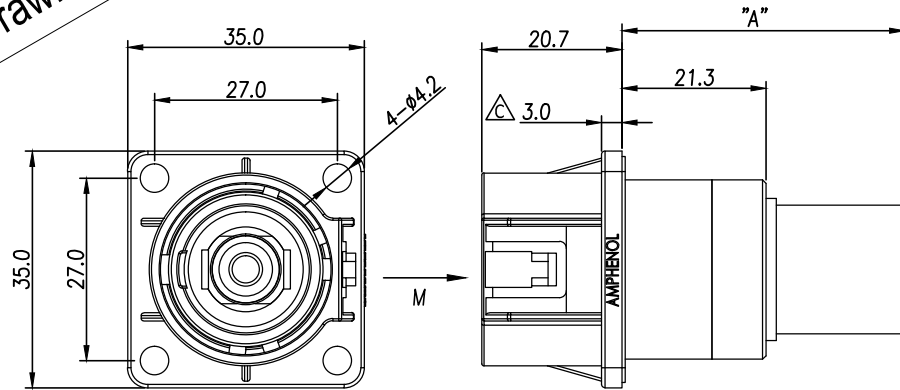


THIS DRAWING IS SUPPLIED FOR INFORMATION ONLY. DESIGN FEATURES, SPECIFICATIONS AND PERFORMANCE DATA SHOWN HEREON ARE THE PROPERTY OF THE AMPHENOL CORPORATION. NO RIGHTS OF REPRODUCTION ARE IMPLIED. ALL DIMENSIONS ARE SUBJECT TO NORMAL MANUFACTURING VARIATIONS.

Customer Drawing

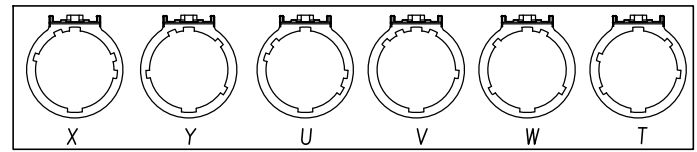


面板安装孔尺寸  
Panel Size

订购信息 Ordering Information

PL00 X - 300 - 30D 95

键位及颜色 Key & Color	线缆大小 Cable Size
"X", 橙色 Orange	"95"=95mm <sup>2</sup>
"Y", 黑色 Black	"70"=70mm <sup>2</sup>
"U", 黄色 Yellow	"50"=50mm <sup>2</sup>
"V", 绿色 Green	"35"=35mm <sup>2</sup>
"W", 红色 Red	
"T", 蓝色 Blue	

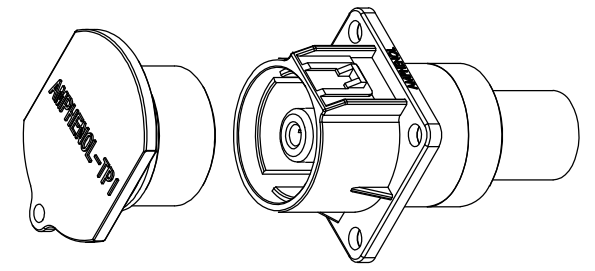


M方向键位示意图

规格参数 (Spec.):

1. 工作温度 Operating temperature: -40° C~+125° C.
2. 额定电流 Current rating: 300 A.
3. 额定电压 Operating voltage: 1000 VDC.
4. 耐电压 Dielectric withstanding voltage: 5000 VDC.
5. 防护等级 Protection class: IP67 & IP2X.
6. 电磁屏蔽 Shielding.
7. 机械寿命 Mating cycle: 500 Min.
8. 带自动二次锁扣 Automatic secondary lock.
9. 法兰盘螺丝安装扭矩 Screw Assembly Torque on Flange : 1.6~2.4 Nm

REVISIONS						
REV	ZONE	ECO	DESCRIPTION	DATE	BY	APPR
A	--	--	INITIAL RELEASE	06/16/14	RW	EC
C	--	--	Add Dimentions & Protection Class: IP2X	05/05/15	RW	EC
D	--	--	Change Dust Cap	03/30/16	RW	GX

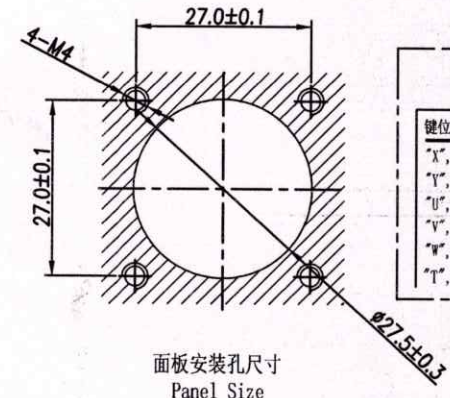
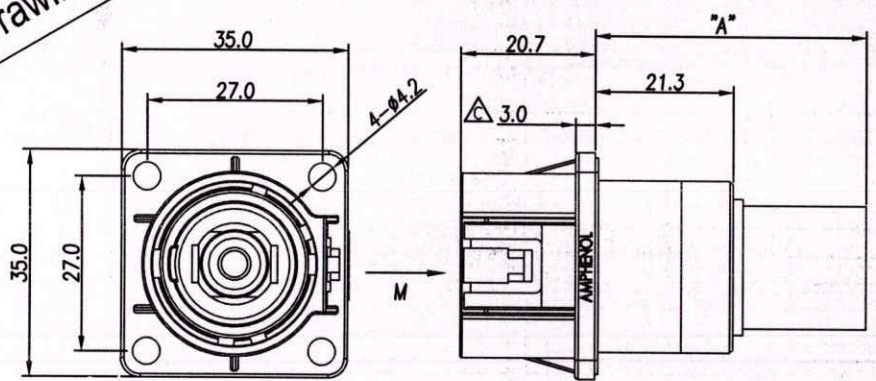


P/N	Model NO.	Polarization	Accepted Cable Size	Dimention "A"
AC-HA001454	PL00X-300-30D35	X	35mm <sup>2</sup>	37.3
AC-HA001455	PL00Y-300-30D35	Y		
AC-HA001456	PL00U-300-30D35	U		
AC-HA001457	PL00V-300-30D35	V		
AC-HA001458	PL00W-300-30D35	W		
AC-HA001459	PL00T-300-30D35	T		
AC-HA001460	PL00X-300-30D50	X	50mm <sup>2</sup>	39.3
AC-HA001461	PL00Y-300-30D50	Y		
AC-HA001462	PL00U-300-30D50	U		
AC-HA001463	PL00V-300-30D50	V		
AC-HA001464	PL00W-300-30D50	W		
AC-HA001465	PL00T-300-30D50	T		
AC-HA001466	PL00X-300-30D70	X	70mm <sup>2</sup>	41.8
AC-HA001467	PL00Y-300-30D70	Y		
AC-HA001468	PL00U-300-30D70	U		
AC-HA001469	PL00V-300-30D70	V		
AC-HA001470	PL00W-300-30D70	W		
AC-HA001471	PL00T-300-30D70	T		
AC-HA001818	PL00X-300-30D95	X	95mm <sup>2</sup>	41.8
AC-HA001819	PL00Y-300-30D95	Y		
AC-HA001820	PL00U-300-30D95	U		
AC-HA001821	PL00V-300-30D95	V		
AC-HA001822	PL00W-300-30D95	W		
AC-HA001823	PL00T-300-30D95	T		

	Amphenol Technical Products International GZ					PART NAME:	
	第三角投影 THIRD ANGLE PROJECTION	页 面 SHEET	幅 面 SIZE	版 次 REV.	比 例 SCALE	PwrLok 10mm 1POS Rcpt Crimping	
签名 SIGNATURE	日期 DATE	UNLESS OTHERWISE SPECIFIED			DWG NO:		
制图 DRAWN	RW	1) All dimensions are in metric(mm).			PL00-300-30		
审核 CHECKED	GX	2) Tolerances are as follows:			CUST PART #:		
批准 APPROVAL	EC	0 PL DEC ±1.00			N/A		
		1 PL DEC ±0.50			CUST REV.		
		2 PL DEC ±0.20			-		
		Angles ±1°					

THIS DRAWING IS SUPPLIED FOR INFORMATION ONLY. DESIGN FEATURES, SPECIFICATIONS AND PERFORMANCE DATA SHOWN HEREON ARE THE PROPERTY OF THE AMPHENOL CORPORATION. NO RIGHTS OF REPRODUCTION ARE IMPLIED. ALL DIMENSIONS ARE SUBJECT TO NORMAL MANUFACTURING VARIATIONS.

Customer Drawing

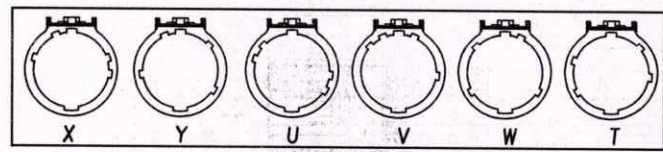


面板安装孔尺寸  
Panel Size

订购信息 Ordering Information

PL00 X - 300 - 30D 95

键位及颜色 Key & Color	线缆大小 Cable Size
*X, 橙色 Orange	*95"-95mm <sup>2</sup>
*Y, 黑色 Black	*70"-70mm <sup>2</sup>
*U, 黄色 Yellow	*50"-50mm <sup>2</sup>
*V, 绿色 Green	*35"-35mm <sup>2</sup>
*W, 红色 Red	
*T, 蓝色 Blue	

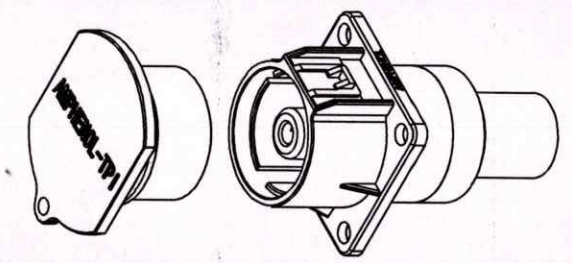


M方向键位示意图

- 规格参数 (Spec.):
1. 工作温度 Operating temperature: -40° C~+125° C.
  2. 额定电流 Current rating: 300 A.
  3. 额定电压 Operating voltage: 1000 VDC.
  4. 耐电压 Dielectric withstanding voltage: 5000 VDC.
  5. 防护等级 Protection class: IP67 & IP2X.
  6. 电磁屏蔽 Shielding.
  7. 机械寿命 Mating cycle: 500 Min.
  8. 带自动二次锁扣 Automatic secondary lock.
  9. 法兰盘螺丝安装扭矩 Screw Assembly Torque on Flange : 1.6~2.4 Nm

**Amphenol TPI**  
 2018-08-22  
**REGISTERED COPY**

REVISIONS						
REV	ZONE	ECO	DESCRIPTION	DATE	BY	APPR
A	---	---	INITIAL RELEASE	06/16/14	RW	EC
C	---	---	Add Dimensions & Protection Class: IP2X	05/05/15	RW	EC
D	---	---	Change Dust Cap	03/30/16	RW	GX



P/N	Model NO.	Polarization	Accepted Cable Size	Dimension "A"
AC-HA001454	PL00X-300-30D35	X	35mm <sup>2</sup>	37.3
AC-HA001455	PL00Y-300-30D35	Y		
AC-HA001456	PL00U-300-30D35	U		
AC-HA001457	PL00V-300-30D35	V		
AC-HA001458	PL00W-300-30D35	W		
AC-HA001459	PL00T-300-30D35	T		
AC-HA001460	PL00X-300-30D50	X	50mm <sup>2</sup>	39.3
AC-HA001461	PL00Y-300-30D50	Y		
AC-HA001462	PL00U-300-30D50	U		
AC-HA001463	PL00V-300-30D50	V		
AC-HA001464	PL00W-300-30D50	W		
AC-HA001465	PL00T-300-30D50	T		
AC-HA001466	PL00X-300-30D70	X	70mm <sup>2</sup>	41.8
AC-HA001467	PL00Y-300-30D70	Y		
AC-HA001468	PL00U-300-30D70	U		
AC-HA001469	PL00V-300-30D70	V		
AC-HA001470	PL00W-300-30D70	W		
AC-HA001471	PL00T-300-30D70	T		
AC-HA001818	PL00X-300-30D95	X	95mm <sup>2</sup>	41.8
AC-HA001819	PL00Y-300-30D95	Y		
AC-HA001820	PL00U-300-30D95	U		
AC-HA001821	PL00V-300-30D95	V		
AC-HA001822	PL00W-300-30D95	W		
AC-HA001823	PL00T-300-30D95	T		

		Amphenol Technical Products International GZ			
		第三角投影 THIRD ANGLE PROJECTION	页面 SHEET	幅面 SIZE	版次 REV.
签名 SIGNATURE 日期 DATE 制图 DRAWN 审核 CHECKED 批准 APPROVAL		1 of 1 A3 D		PwrLok 10mm IPOS Rept Crimping 零件号 PLO0-300-30 客户零件号 N/A	
1) All dimensions are in metric (mm). 2) Tolerances are as follows: 0 PL DEC ±1.00 1 PL DEC ±0.50 2 PL DEC ±0.30 Angles ±1°		客户零件号 -			

Frederick (512) 880-1100 / WWW.AMPHENOLTPI.COM