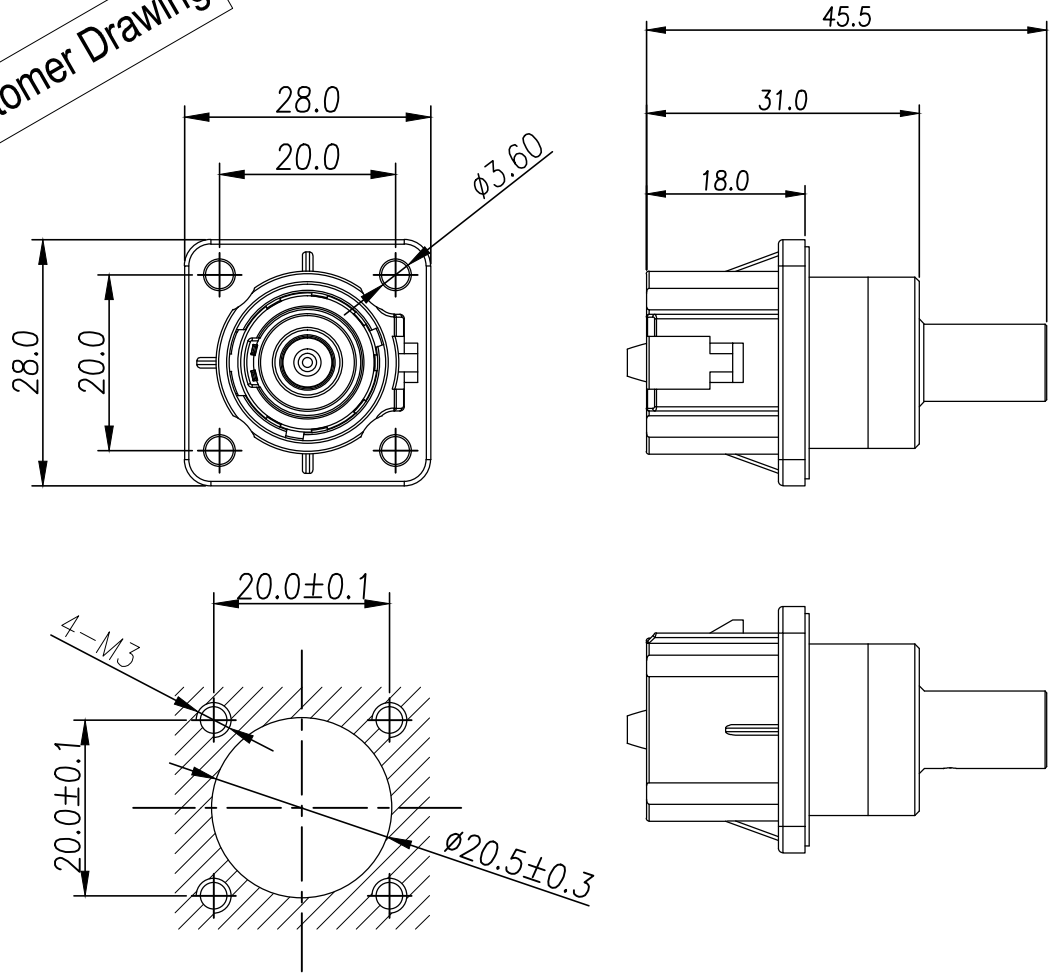


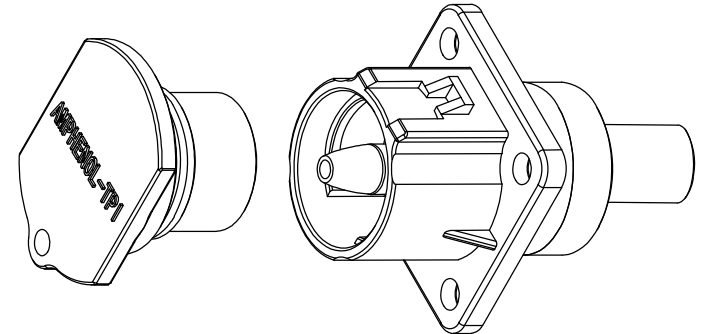
THIS DRAWING IS SUPPLIED FOR INFORMATION ONLY. DESIGN FEATURES, SPECIFICATIONS AND PERFORMANCE DATA SHOWN HEREON ARE THE PROPERTY OF THE AMPHENOL CORPORATION. NO RIGHTS OF REPRODUCTION ARE IMPLIED. ALL DIMENSIONS ARE SUBJECT TO NORMAL MANUFACTURING VARIATIONS.

Customer Drawing



面板安装孔尺寸
Panel Size

REVISIONS					
REV	ZONE	ECO	DESCRIPTION	DATE	BY APPR
A	--	--	INITIAL RELEASE	06/16/14	RW EC
B	--	--	Change Dust Cap	03/31/16	RW TS



产品料号	插座型号	键位	所接线缆大小
AC-HA001813	PL00X-120-30D25	X	25mm ²
AC-HA001814	PL00Y-120-30D25	Y	
AC-HA001815	PL00U-120-30D25	U	
AC-HA001816	PL00V-120-30D25	V	
AC-HA001817	PL00W-120-30D25	W	
AC-HA000955	PL00X-120-30D16	X	16mm ²
AC-HA000956	PL00Y-120-30D16	Y	
AC-HA000957	PL00U-120-30D16	U	
AC-HA000958	PL00V-120-30D16	V	
AC-HA000959	PL00W-120-30D16	W	

- 规格参数(Spec.):
1. 工作温度 Operating temperature: -40° C~+125° C.
 2. 额定电流 Current rating: 120 A.
 3. 额定电压 Operating voltage: 1000 VDC.
 4. 耐电压 Dielectric withstanding voltage: 5000 VDC.
 5. 防护等级 Protection class: IP67.
 6. 电磁屏蔽 Shielding.
 7. 机械寿命 Mating cycle: 500 Min.
 8. 带自动二次锁扣 Automatic secondary lock.

订购信息 Ordering Information

PL00 <u>X</u> - 120 - 30 D <u>25</u>	
键位及颜色 Key & Color	线缆大小 Cable Size
"X", 橙色 Orange	"25"=25mm ²
"Y", 黑色 Black	"16"=16mm ²
"U", 黄色 Yellow	
"V", 绿色 Green	
"W", 红色 Red	

	Amphenol Technical Products International GZ					PART NAME: PwrLok 5.7mm IPOS Rept Crimping	
	第三角投影 THIRD ANGLE PROJECTION	页面 SHEET	幅面 SIZE	版次 REV.	比例 SCALE	DWG NO: PL00-120-30	
签名 SIGNATURE		日期 DATE	UNLESS OTHERWISE SPECIFIED			CUST PART #: N/A	
制图 DRAWN	RW	06/16/14	1) All dimensions are in metric(mm).			CUST REV. -	
审核 CHECKED	GX	06/16/14	2) Tolerances are as follows:				
批准 APPROVAL	EC	06/16/14	0 PL DEC ±1.00 1 PL DEC ±0.50 2 PL DEC ±0.20				
			Angles ±1°				